

PRODUCT AND CONTACT INFORMATION:



Tel: 800.506.9901 • Fax: 435.787.2301
2410 Heritage Dr. • Logan • UT 84321
sales@stander.com
www.stander.com

English- For assembly instructions and product information, visit the following website:
www.stander.com/product-manuals

Español- Para obtener instrucciones de montaje e información del producto, visite el siguiente sitio web:
www.stander.com/product-manuals

Deutsch- Montageanleitungen und Produktinformationen finden Sie auf der folgenden Website:
www.stander.com/product-manuals

Français- Pour obtenir des instructions d'assemblage et des informations sur le produit, visitez le site Web suivant: www.stander.com/product-manuals

Italiano- Per le istruzioni di montaggio e le informazioni sul prodotto, visitare il seguente sito Web:
www.stander.com/product-manuals



Wonder Pole Slim, Item # 1150

This product is not intended to carry the full weight of the user, it is only intended to assist users in order to provide balance and support during the process of sitting and standing. It is intended for use by seniors and disabled adults who will benefit from having some additional support when sitting or standing. This product should not be used by anyone who suffers from any paralysis, symptoms of dementia, sleeping disorders, incontinence, severe pain, uncontrolled body movement, or who are unable to walk safely without assistance. It should not be used by individuals who suffer from confusion, restlessness, terminal restlessness, or who are under the influence of any medications, drugs or any substance that could impair their balance or judgment or any other condition that could affect the user's physical and mental ability to safely use this product. If you have questions, please consult a physician before using this product.

LIMITED LIFETIME WARRANTY

To register your product for a Limited Lifetime Warranty, please visit stander.com/product-registration.

Stander, Inc. ("Stander") warrants to the original purchaser that the Product will be free from material defects in material or workmanship for the lifetime of the product. This limited lifetime warranty applies only when the Product is used consistent with the Product's specifications and is non-transferable and shall solely be applicable to the original purchaser.

In the event of a warranty claim, the original purchaser must notify Stander, during the warranty period, in writing of the alleged defect in workmanship or material and must ship the Product, along with the proof of purchase, to Stander.

All shipping costs must be paid by the original purchaser. Stander will not refund or pay for any shipping charges.

If Stander determines, upon its sole determination, that there is a material defect in the material or workmanship of the Product, Stander will either send replacement parts or if needed replace the product and ship a replacement product or parts to the original purchaser.

The limited lifetime warranty does NOT apply to any Product:

- (1) That has been damaged in any way.
- (2) That has been altered or modified in any way or is used with any unauthorized attachments.
- (3) That was not properly installed or that was not used in accordance with the instructions provided by Stander.
- (4) That was used for purposes other than those for which the Product was designed or intended.
- (5) Damaged due to abuse, misuse, mishandling, neglect, misapplication, accident or abnormal use or storage.

STANDER MAKES NO WARRANTIES OTHER THAN THOSE EXPRESSLY SET FORTH HEREIN. ALL OTHER WARRANTIES, EXPRESS OR IMPLIED INCLUDING ALL (I) IMPLIED WARRANTIES OF MERCHANTABILITY OR FITNESS FOR A PARTICULAR PURPOSE, OR (II) IMPLIED WARRANTIES ARISING FROM ANY COURSE OF DEALING, USAGE OF TRADE, ADVERTISING OR PERFORMANCE OF PRODUCTS TO STANDARDS SPECIFIC TO THE COUNTRY OF IMPORT, ARE HEREBY EXPRESSLY DISCLAIMED.

THIS LIMITED LIFETIME WARRANTY IS THE FULL AND COMPLETE STATEMENT OF STANDER'S LIMITED LIFETIME WARRANTY OF THE PRODUCT, CONSTITUTES THE ENTIRE AND COMPLETELY INTEGRATED LIMITED LIFETIME WARRANTY OF STANDER, SUPERSEDES ALL OTHER STATEMENTS, AND CANNOT BE VARIED BY ANY ORAL OR OTHER WRITTEN STATEMENT.

THE EXCLUSIVE REMEDY FOR BREACH OF THIS LIMITED LIFETIME WARRANTY IS TO RETURN THE PRODUCT FOR THE REPLACEMENT OF THE NONCONFORMING PRODUCT.

UNDER NO CIRCUMSTANCES SHALL STANDER, INC. BE LIABLE FOR ANY SPECIAL, INCIDENTAL, EXEMPLARY, PUNITIVE, CONSEQUENTIAL DAMAGES, OR OTHER DAMAGES, BASED UPON BREACH OF THIS LIMITED WARRANTY, BREACH OF CONTRACT, OR STRICT LIABILITY.

Some states do not allow limitations on how long an implied warranty lasts. This warranty gives you specific legal rights, and you may also have other rights which vary from state to state. To obtain service under this Limited Warranty, you can reach Stander at (800) 506-9901 or (435) 755-0453.

DISCLAIMER: Neither Stander nor the manufacturer will be liable for any harm or injury that results from the improper use or assembly of the product.

Do not use or attempt to install this product unless you read and understand these warnings and follow all instructions.

▲ WARNINGS

Wonder Pole Slim, Item # 1150: This device is intended to assist disabled persons to provide moderate weight support while sitting or standing.

Serious injury or harm can result if the product is not properly installed.

This product is not intended to carry the full weight of the user, it is only intended to provide balance and support during the process of sitting and standing.

THIS PRODUCT MAY PRESENT ENTRAPMENT AND/OR FALL HAZARDS.

- a) In order to mitigate the hazards of entrapment or falls, this product must be installed in strict accordance with the instructions set forth herein.
- b) This product must NOT be used by anyone who has any condition that may cause confusion, who cannot walk without assistance or is otherwise at increased risk of injury because of the propensity to fall or lose their balance including individuals who are taking medication that makes them tired or dizzy. The user must have sufficient hand strength to grasp the product while standing up without slipping.
- c) Do NOT install product if the ceiling is angled or if there is a suspended ceiling, if the distance between the floor and the ceiling is more than 10 feet. Do NOT install this product if the ceiling condition allows the top of the product to slip or move when pulled against. The pole of the product must be securely installed perpendicular to the floor and ceiling. All protective rubber pads must fully engage the ceiling and floor with an equally distributed force to prevent any movement during use. Do NOT install the product on a rug or any type of floor condition that would allow the base of the pole to slide or slip. If the product moves when used, the product is not safe to use and must be removed immediately.
- d) Do NOT alter the product in any way or use of the product for any reason other than to provide limited support during the process of standing and sitting.
- e) Pole must be installed with enough distance from any bed, wall, furniture or any other object to be able to walk completely around the pole. Placing the pole too close to another object could result in entrapment between the pole and the other object if the user falls. Entrapment between the pole and another object may cause death or serious injury.
- f) Do check the product daily to make sure it is installed and positioned as per the ASSEMBLY INSTRUCTIONS, that there is no damage to the product and that it is clean and free of any substance that may make the product or the floor slippery.
- g) Do NOT install product inside of bathtub or shower or on a floor that is frequently wet.
- h) Do NOT allow Children to hang on or play with this product.
- i) Do NOT use this product if you weigh over 300 lbs (136kgs).
- j) Do NOT attach any items or objects to this product, except Stander Pole accessories.
- k) If this product is used in a nursing home, assisted living center, or a similar facility, you must follow these instructions as well as all of the institution's rules and installation policies. If this product does not comply with the facility's rules or installation policies, do not install this product.
- l) If this product is removed, it must be reinstalled per enclosed ASSEMBLY INSTRUCTIONS.
- m) If you have any questions regarding the safe installation or use of this product, associated risks, or anything at all regarding this product call Stander at (800) 506-9901 or (435) 755-0453.
- n) In the rare possibility of a serious event with any Stander product, contact a customer service representative at (800) 506-9901 or (435) 755-0453 immediately. Also report to the competent authority of your member state. A serious event is defined as death or serious deterioration in health that results in a life-threatening illness or injury, permanent impairment, hospitalization, or surgical intervention.

ASSEMBLY INSTRUCTIONS

Specifications:

Product Name: Wonder Pole Slim

Product #: 1150

Maximum User Weight: 300lbs (136kg)

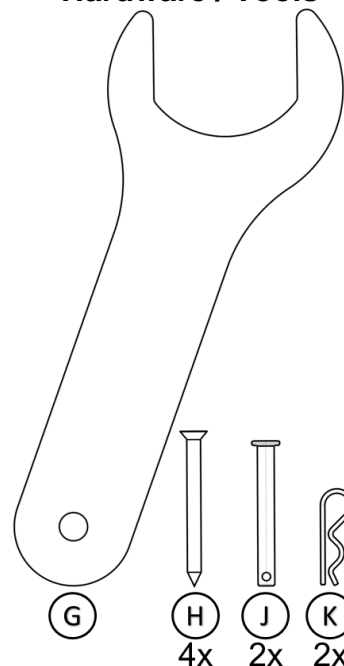
Ceiling Height Range: 7' (2.13m) 10' (3.04m)

Compatibility: Not intended for use on angled ceilings, suspended ceilings or inside a shower/bathtub.

Cleaning: Clean product with warm water and soap. Dry thoroughly before using.

Recycling: Product should be recycled in accordance with national guidelines.

Hardware / Tools



EMERGO EUROPE
Westervoortsedijk 60
6827 AT Arnhem
The Netherlands



1. Remove product from box and identify all parts as shown in *FIGURE 1*.

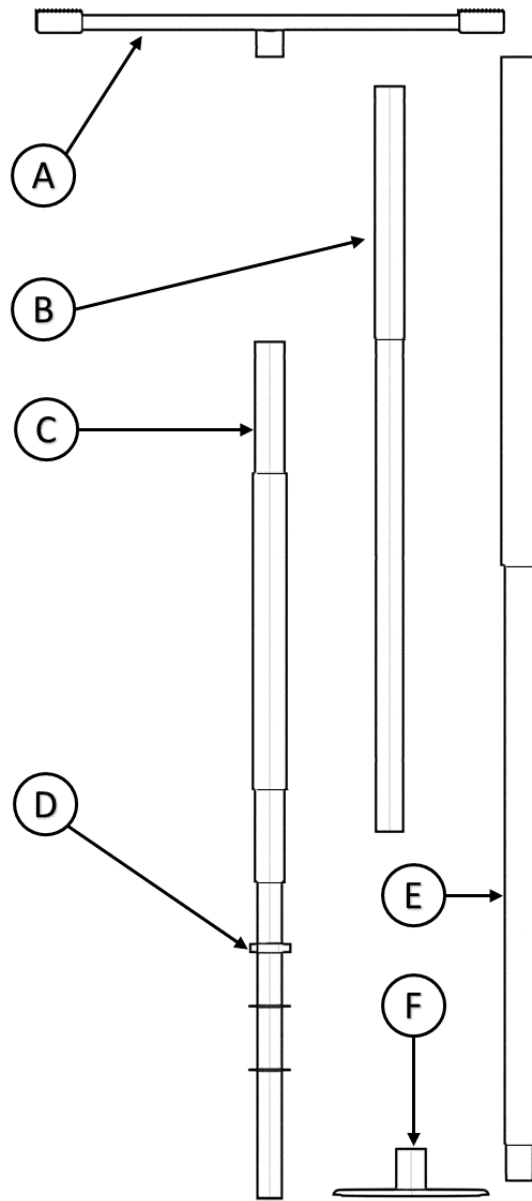


FIGURE 1

2. Insert **A** into **B**, align holes and insert **J** as shown in *FIGURE 2*. Insert **K** through **J** to secure.
Note: for 7 foot ceiling, remove **B** and attach **A** to **C** and go to Step 4.

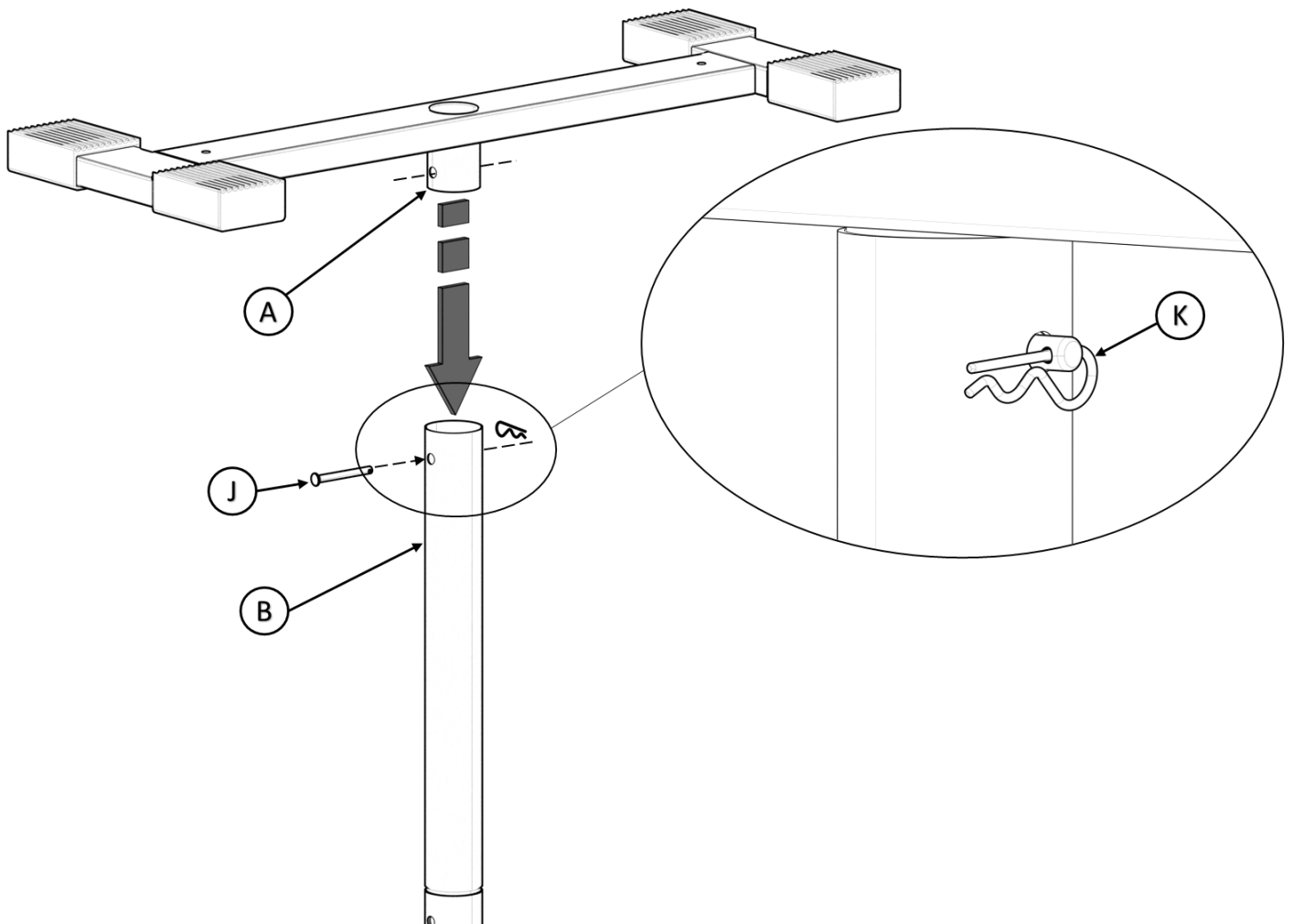


FIGURE 2

3. Determine height between the floor and ceiling and align the appropriate hole in **B** with the hole in **C** and insert **J** as shown in *FIGURE 3*. Insert **K** through **J** to secure.

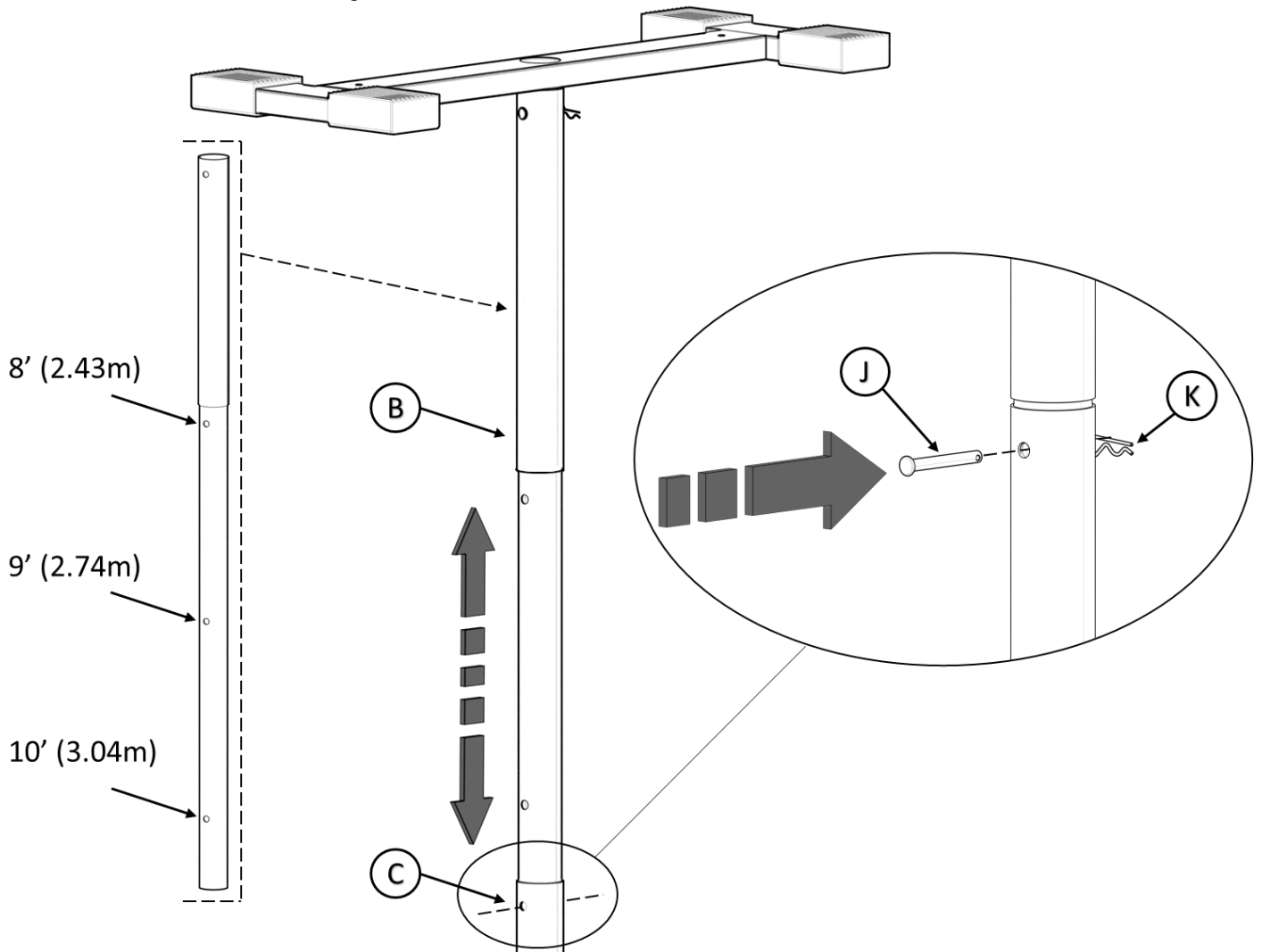


FIGURE 3

4. Twist **D** to its highest position and insert **C** into **E** as shown in *FIGURE 4*.

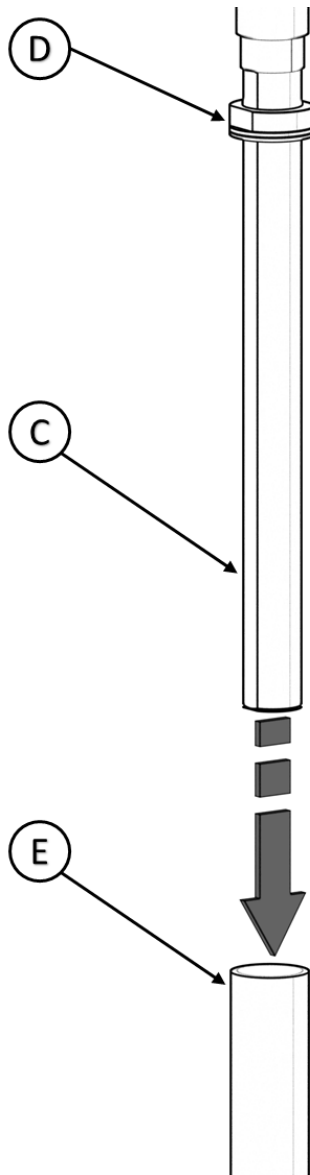


FIGURE 4

5. Place **F** on floor at target location and insert **E**. Make sure that the half hole in **E** is straddling the rod in **F** as shown in *FIGURE 5*.

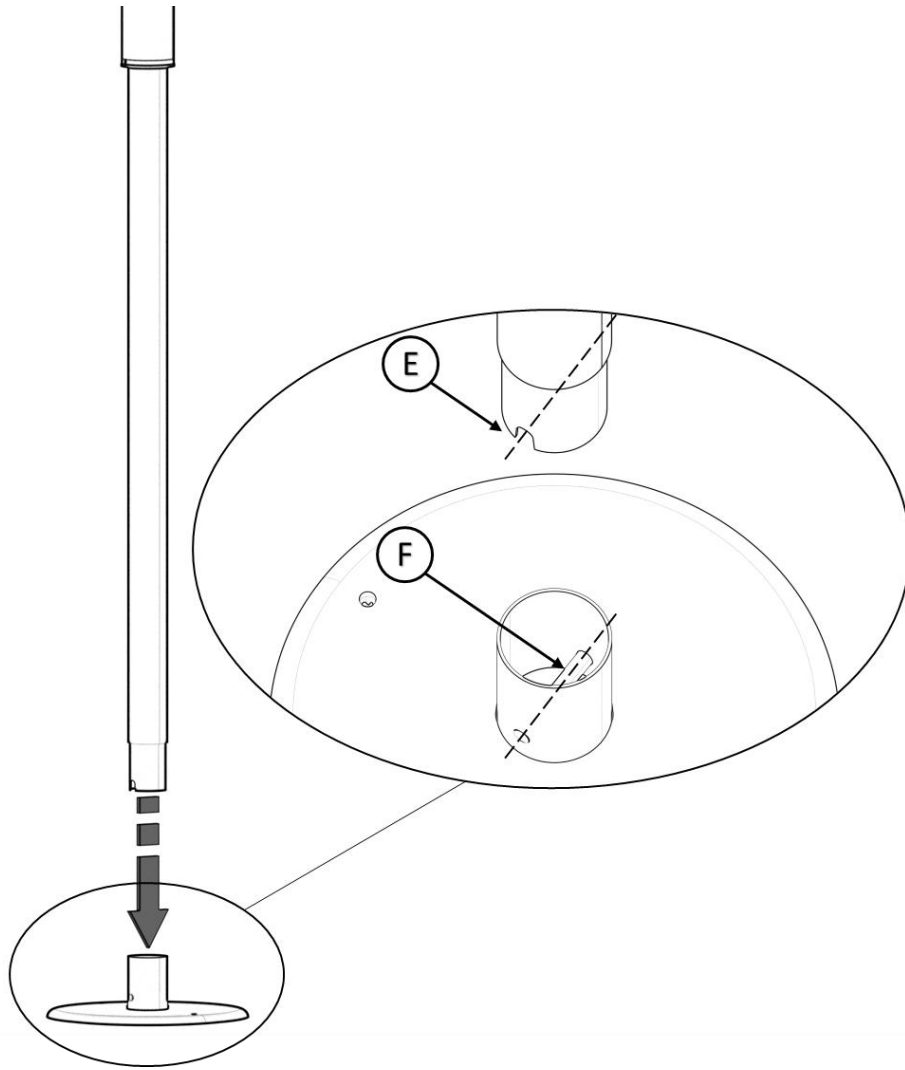


FIGURE 5

6. Making sure the Product is level, tighten **D** using **G** as shown in *FIGURE 6*, until the product is secured between the floor and ceiling with ABSOLUTELY NO sliding of the product between them.

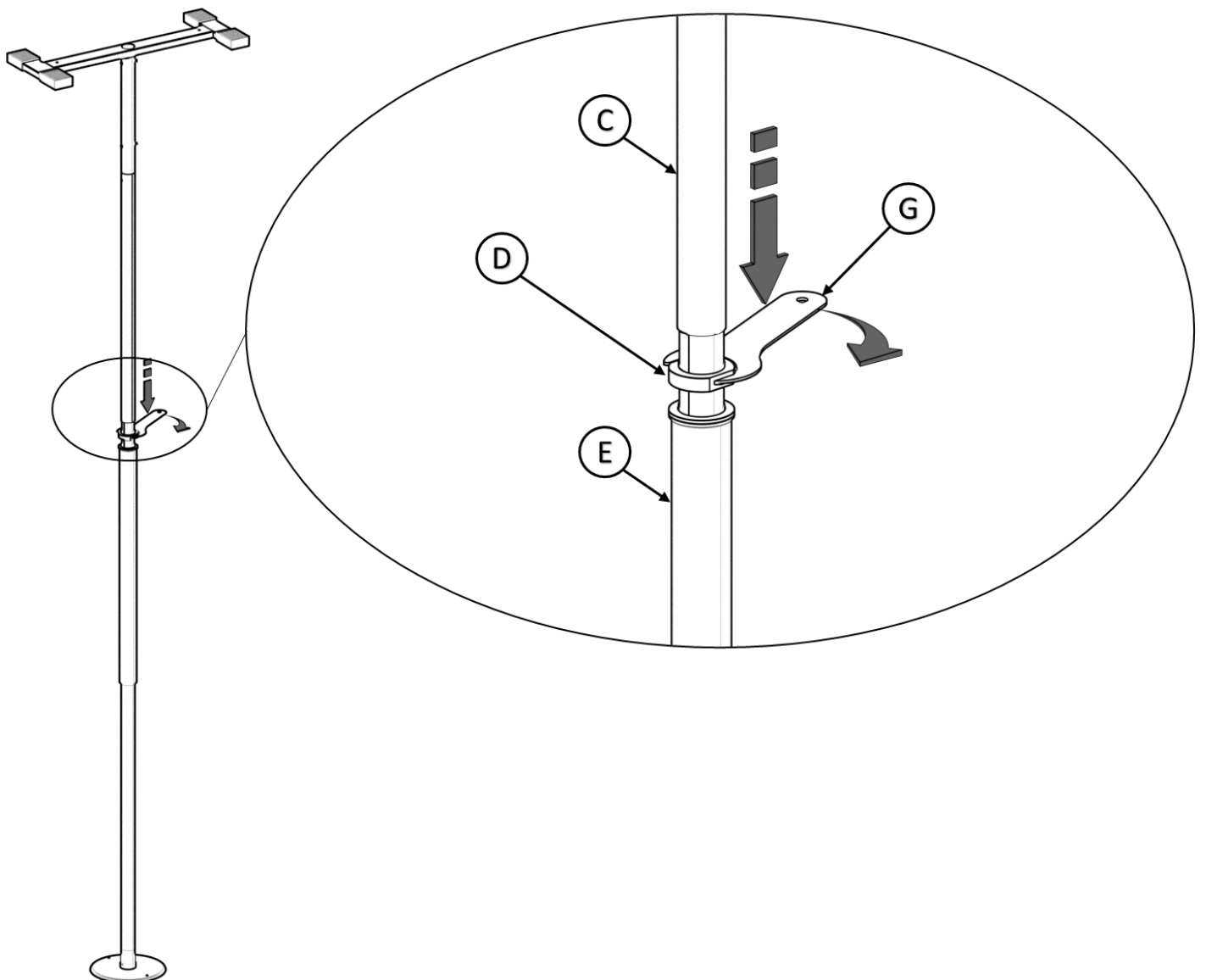


FIGURE 6

7. (OPTIONAL)

Use the provided screws, **H**, ensuring that **H** goes through the **Ceiling Joists**, as shown in *FIGURE 7*. If the **Floor** is ceramic or concrete, drill holes first.

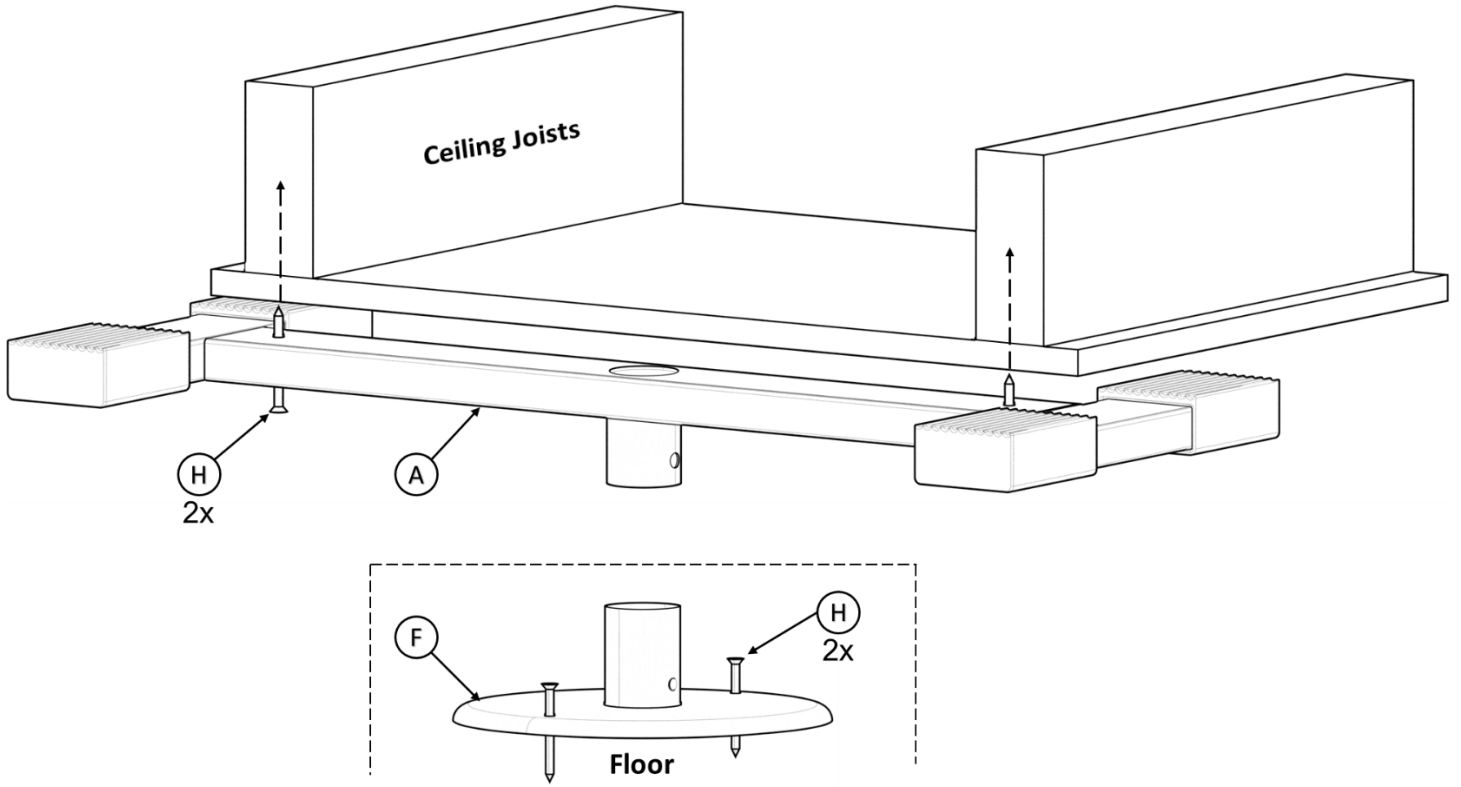


FIGURE 7