

## PRODUCT AND CONTACT INFORMATION:



Tel: 800.506.9901 • Fax: 435.787.2301  
2410 Heritage Dr. • Logan • UT 84321  
[sales@stander.com](mailto:sales@stander.com)  
[www.stander.com](http://www.stander.com)

**English-** For assembly instructions and product information, visit the following website:  
[www.stander.com/product-manuals](http://www.stander.com/product-manuals)

**Español-** Para obtener instrucciones de montaje e información del producto, visite el siguiente sitio web:  
[www.stander.com/product-manuals](http://www.stander.com/product-manuals)

**Deutsch-** Montageanleitungen und Produktinformationen finden Sie auf der folgenden Website:  
[www.stander.com/product-manuals](http://www.stander.com/product-manuals)

**Français-** Pour obtenir des instructions d'assemblage et des informations sur le produit, visitez le site Web suivant: [www.stander.com/product-manuals](http://www.stander.com/product-manuals)

**Italiano-** Per le istruzioni di montaggio e le informazioni sul prodotto, visitare il seguente sito Web:  
[www.stander.com/product-manuals](http://www.stander.com/product-manuals)



### Wonder Bathtub Pole Lite, Item # 8145

This product is not intended to carry the full weight of the user, it is only intended to assist users in order to provide balance and support during the process of sitting and standing. It is intended for use by seniors and disabled adults who will benefit from having some additional support when sitting or standing. This product should not be used by anyone who suffers from any paralysis, symptoms of dementia, sleeping disorders, incontinence, severe pain, uncontrolled body movement, or who are unable to walk safely without assistance. It should not be used by individuals who suffer from confusion, restlessness, terminal restlessness, or who are under the influence of any medications, drugs or any substance that could impair their balance or judgment or any other condition that could affect the user's physical and mental ability to safely use this product. If you have questions, please consult a physician before using this product.

### LIMITED LIFETIME WARRANTY

To register your product for a Limited Lifetime Warranty, please visit [stander.com/product-registration](http://stander.com/product-registration).

Stander, Inc. ("Stander") warrants to the original purchaser that the Product will be free from material defects in material or workmanship for the lifetime of the product. This limited lifetime warranty applies only when the Product is used consistent with the Product's specifications and is non-transferable and shall solely be applicable to the original purchaser.

In the event of a warranty claim, the original purchaser must notify Stander, during the warranty period, in writing of the alleged defect in workmanship or material and must ship the Product, along with the proof of purchase, to Stander.

All shipping costs must be paid by the original purchaser. Stander will not refund or pay for any shipping charges.

If Stander determines, upon its sole determination, that there is a material defect in the material or workmanship of the Product, Stander will either send replacement parts or if needed replace the product and ship a replacement product or parts to the original purchaser.

The limited lifetime warranty does NOT apply to any Product:

- (1) That has been damaged in any way.
- (2) That has been altered or modified in any way or is used with any unauthorized attachments.
- (3) That was not properly installed or that was not used in accordance with the instructions provided by Stander.
- (4) That was used for purposes other than those for which the Product was designed or intended.
- (5) Damaged due to abuse, misuse, mishandling, neglect, misapplication, accident or abnormal use or storage.

STANDER MAKES NO WARRANTIES OTHER THAN THOSE EXPRESSLY SET FORTH HEREIN. ALL OTHER WARRANTIES, EXPRESS OR IMPLIED INCLUDING ALL (I) IMPLIED WARRANTIES OF MERCHANTABILITY OR FITNESS FOR A PARTICULAR PURPOSE, OR (II) IMPLIED WARRANTIES ARISING FROM ANY COURSE OF DEALING, USAGE OF TRADE, ADVERTISING OR PERFORMANCE OF PRODUCTS TO STANDARDS SPECIFIC TO THE COUNTRY OF IMPORT, ARE HEREBY EXPRESSLY DISCLAIMED.

THIS LIMITED LIFETIME WARRANTY IS THE FULL AND COMPLETE STATEMENT OF STANDER'S LIMITED LIFETIME WARRANTY OF THE PRODUCT, CONSTITUTES THE ENTIRE AND COMPLETELY INTEGRATED LIMITED LIFETIME WARRANTY OF STANDER, SUPERSEDES ALL OTHER STATEMENTS, AND CANNOT BE VARIED BY ANY ORAL OR OTHER WRITTEN STATEMENT.

THE EXCLUSIVE REMEDY FOR BREACH OF THIS LIMITED LIFETIME WARRANTY IS TO RETURN THE PRODUCT FOR THE REPLACEMENT OF THE NONCONFORMING PRODUCT.

UNDER NO CIRCUMSTANCES SHALL STANDER, INC. BE LIABLE FOR ANY SPECIAL, INCIDENTAL, EXEMPLARY, PUNITIVE, CONSEQUENTIAL DAMAGES, OR OTHER DAMAGES, BASED UPON BREACH OF THIS LIMITED WARRANTY, BREACH OF CONTRACT, OR STRICT LIABILITY.

Some states do not allow limitations on how long an implied warranty lasts. This warranty gives you specific legal rights, and you may also have other rights which vary from state to state. To obtain service under this Limited Warranty, you can reach Stander at (800) 506-9901 or (435) 755-0453.

**DISCLAIMER: Neither Stander nor the manufacturer will be liable for any harm or injury that results from the improper use or assembly of the product.**

**Do not use or attempt to install this product unless you read and understand these warnings and follow all instructions.**

## **▲ WARNINGS**

Wonder Bathtub Pole Lite, Item # 8145: This device is intended to assist disabled persons to provide moderate weight support while sitting or standing.

**Serious injury or harm can result if the product is not properly installed.**

**This product is not intended to carry the full weight of the user, it is only intended to provide balance and support during the process of sitting and standing.**

**THIS PRODUCT MAY PRESENT ENTRAPMENT AND/OR FALL HAZARDS.**

- a) In order to mitigate the hazards of entrapment or falls, this product must be installed in strict accordance with the instructions set forth herein.
- b) This product must NOT be used by anyone who has any condition that may cause confusion, who cannot walk without assistance or is otherwise at increased risk of injury because of the propensity to fall or lose their balance including individuals who are taking medication that makes them tired or dizzy. The user must have sufficient hand strength to grasp the product while standing up without slipping.
- c) Do NOT install product if the ceiling is angled or if there is a suspended ceiling, if the distance between the floor and the ceiling is more than 9 feet. Do NOT install this product if the ceiling condition allows the top of the product to slip or move when pulled against. The pole of the product must be securely installed perpendicular to the floor and ceiling. All protective rubber pads must fully engage the ceiling and bathtub wall with an equally distributed force to prevent any movement during use. Do NOT install the product in any type of condition that would allow the base of the pole to slide or slip. If the product moves when used, the product is not safe to use and must be removed immediately.
- d) Do NOT alter the product in any way or use of the product for any reason other than to provide limited support during the process of standing and sitting.
- e) Pole must be installed with enough distance from any bed, wall, furniture or any other object to be able to walk completely around the pole. Placing the pole too close to another object could result in entrapment between the pole and the other object if the user falls. Entrapment between the pole and another object may cause death or serious injury.
- f) Do check the product daily to make sure it is installed and positioned as per the ASSEMBLY INSTRUCTIONS, that there is no damage to the product and that it is clean and free of any substance that may make the product or the bathtub wall slippery.
- g) Do NOT install product inside of bathtub or shower.
- h) Do NOT allow Children to hang on or play with this product.
- i) Do NOT use this product if you weigh over 300 lbs (136kgs).
- j) Do NOT attach any items or objects to this product, except Stander Pole accessories.
- k) If this product is used in a nursing home, assisted living center, or a similar facility, you must follow these instructions as well as all of the institution's rules and installation policies. If this product does not comply with the facility's rules or installation policies, do not install this product.
- l) If this product is removed, it must be reinstalled per enclosed ASSEMBLY INSTRUCTIONS.
- m) If you have any questions regarding the safe installation or use of this product, associated risks, or anything at all regarding this product call Stander at (800) 506-9901 or (435) 755-0453.
- n) In the rare possibility of a serious event with any Stander product, contact a customer service representative at (800) 506-9901 or (435) 755-0453 immediately. Also report to the competent authority of your member state. A serious event is defined as death or serious deterioration in health that results in a life-threatening illness or injury, permanent impairment, hospitalization, or surgical intervention.

## **ASSEMBLY INSTRUCTIONS**

### **Specifications:**

**Product Name:** Wonder Bathtub Pole Lite

**Product #:** 8145

**Maximum User Weight:** 300lbs (136kgs)

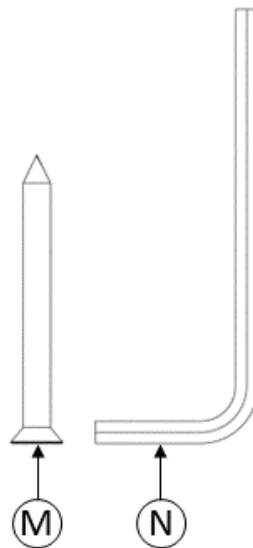
**Ceiling Height Range:** 7' - 9' (2.13 - 2.74m)

**Compatibility:** Not intended for use on angled ceilings, suspended ceiling. Compatible with bathtub wall thickness between 3" - 7" (7.6 - 17.8cm). Waterproof.

**Cleaning:** Clean product with warm water and soap. Dry thoroughly before using.

**Recycling:** Product should be recycled in accordance with national guidelines.

### **Hardware / Tools**



EMERGO EUROPE  
Westervoortsedijk 60  
6827 AT Arnhem  
The Netherlands



Stander, Inc.  
2410 S. Heritage Dr.  
Logan Utah 84321  
USA  
www.stander.com  
1.800.506.9901



**Compatibility:**

**Bathtub:** The bathtub clamp for the Security Pole is compatible with standard Alcove bathtubs with flat sides and top. It is not compatible with curved tub walls. Tub wall thickness must be between 3" (7.62cm) and 7" (17.78cm).

**Curtain Rod:** The Security Pole may be incompatible or have limited compatibility with some fixed position curtain rods, due to interference. The Security Pole is compatible with all non-fixed curtain rods. It is recommended that non-fixed curtain rods be taken down prior to installation of the Security Pole and reinstalled, on the outside of the Security Pole and tub, afterwards.

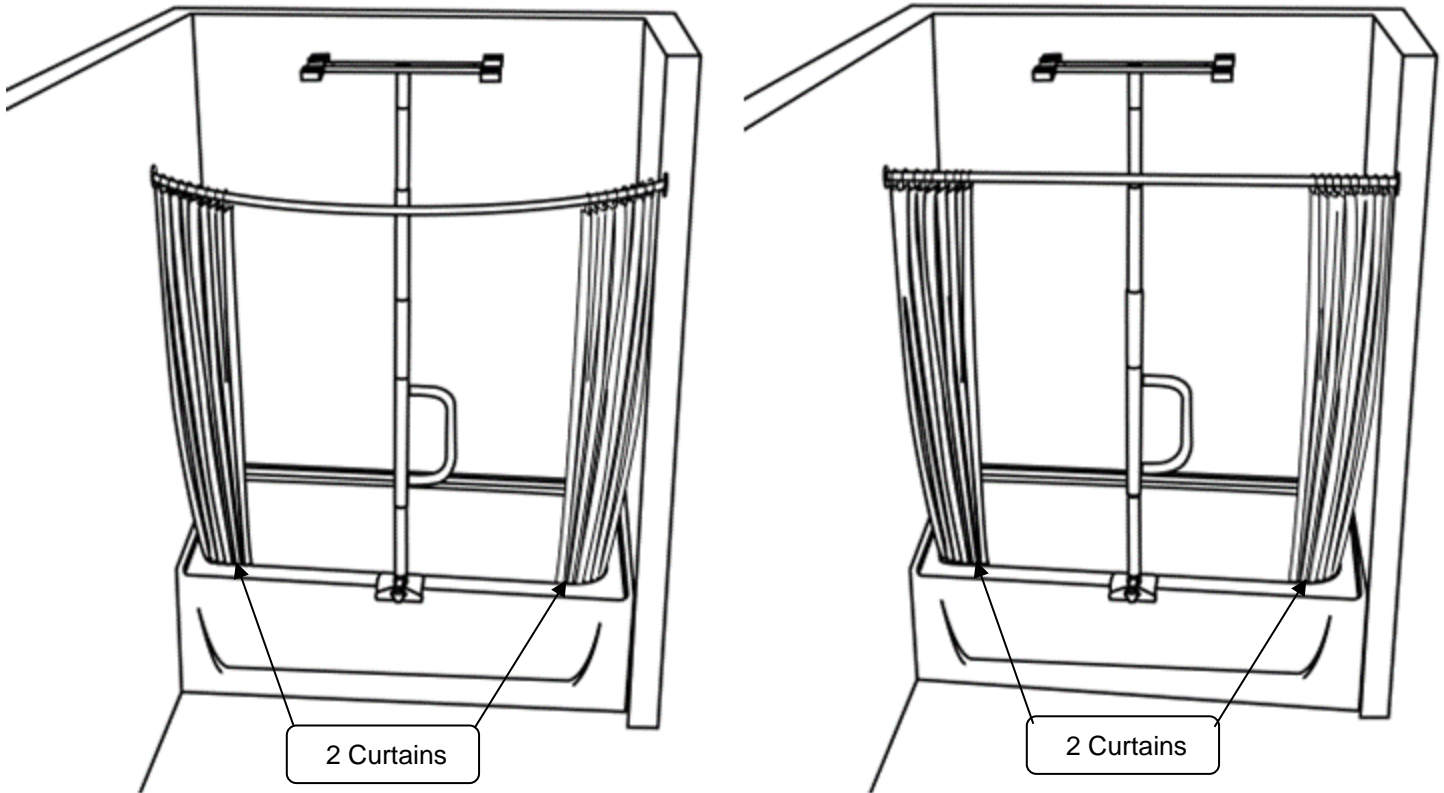
**Shower Curtain:** To ensure the water is contained within the tub, there must be a curtain on either side of the Security Pole. We recommend using a split curtain, or 2 curtains (one to each side of the pole) as shown below.

**Ceiling:** This Security Pole is not intended for use on angled ceilings. Ceiling must be flat and parallel to the floor.

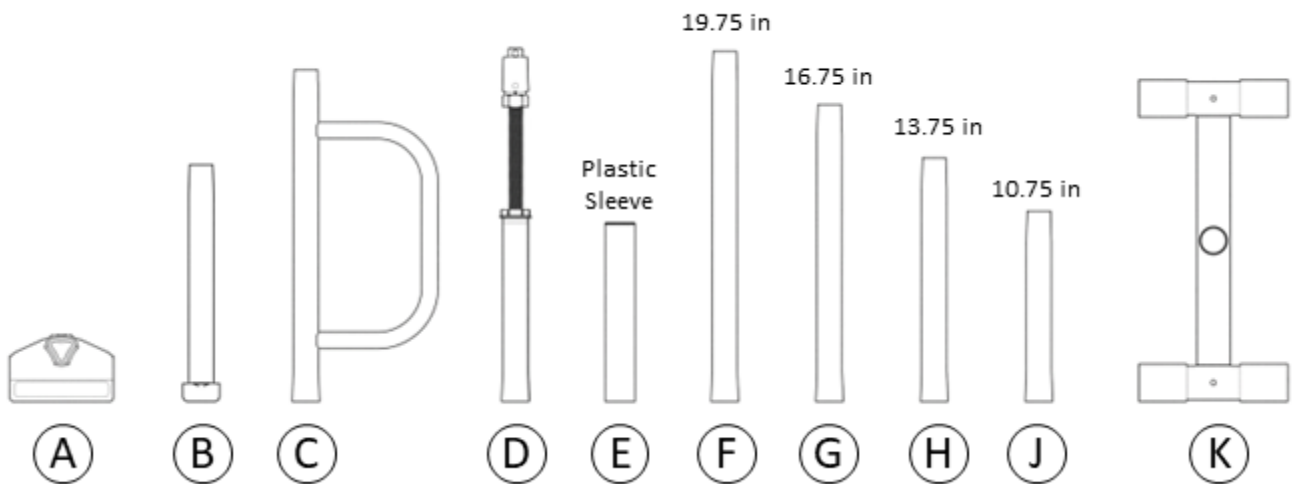
Curved Curtain Rod

Straight Curtain Rod

**Note:** Both curved and straight curtain rods should be installed on the outside of the Security Pole, as shown below.

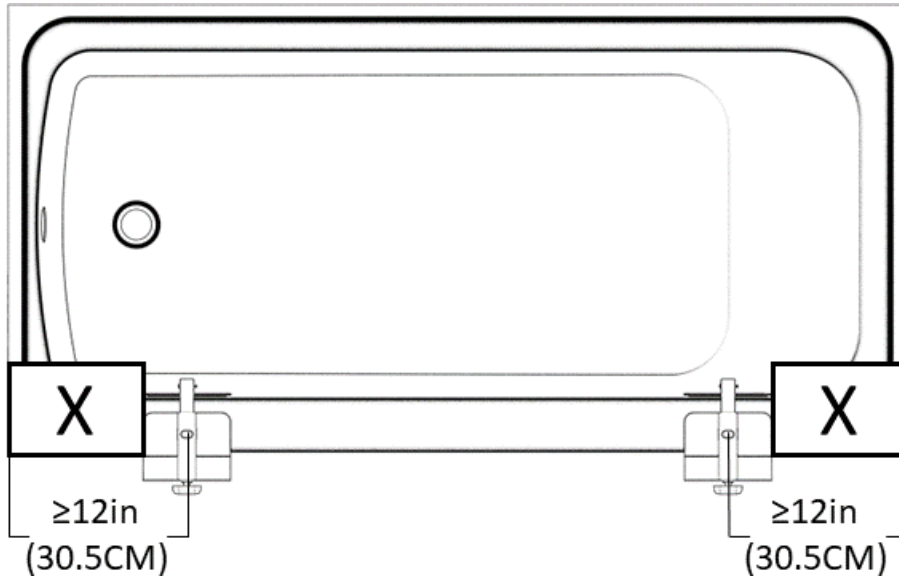


1. Remove product from box/packaging and identify all parts as shown in *FIGURE 1*.



**FIGURE 1**

2. Determine the best location along the bathtub to mount **A**. See Options 1 & 2 below for recommended locations. **Note:** **A** must be mounted where the tub is flat both inside and outside as shown in *FIGURE 2*. The center of **A** must be at least 12in (30.5CM) from the wall to allow space for **H**.



**FIGURE 2**

Recommendation 1

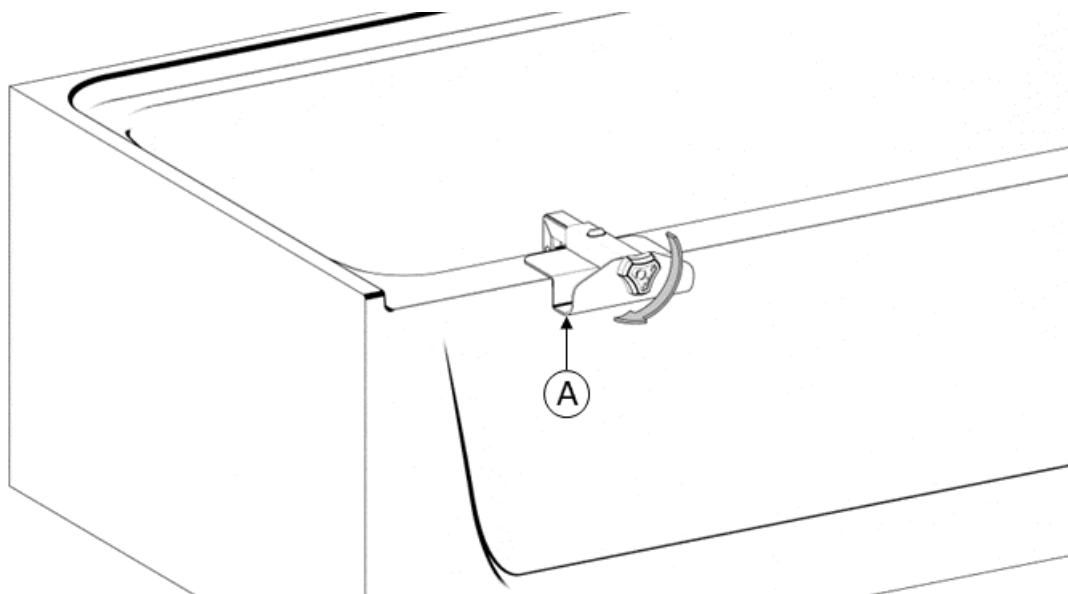
An ideal configuration is to mount the product in the center next to the toilet to allow the user to use the grab bar as a bathtub grab bar and toilet grab bar in one.

Recommendation 2

Place the Security Pole near the front end of the bathtub to allow the user to use it while getting into/out of the tub and for support during a shower.



3. Ensure that the installation location is clean and dry prior to installation. Extend **A** to fit over the side of the bathtub, then rotate the knob clockwise to secure **A** to the tub as shown in *FIGURE 3*. Do NOT fully tighten.



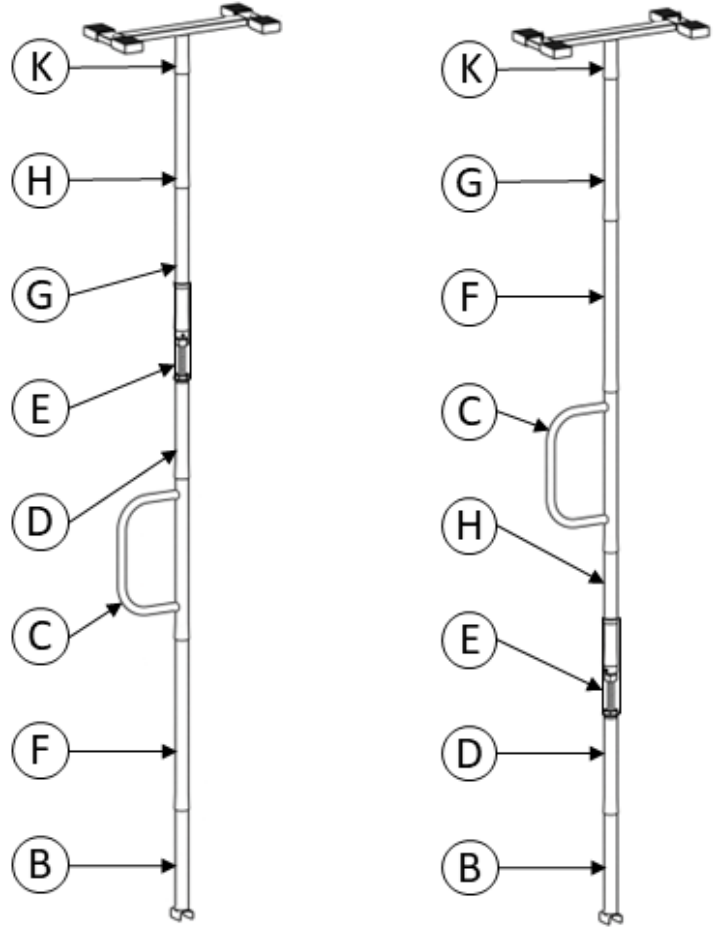
**FIGURE 3**

4. Determine the distance between the top of the bathtub and the ceiling. Then see table below to determine which straight pipes (**F**, **G**, **H**, & **J**) you will need for your setup as they will not all be used.

Distance, inches (cm)	Use Parts
57-60 (145-152.5)	<b>J</b>
60-63 (152.5-160)	<b>H</b>
63-66 (160-167.5)	<b>G</b>
66-69 (167.5-175)	<b>F</b>
69-72 (175-183)	<b>H, J</b>
72-75 (183-190.5)	<b>G, J</b>
75-78 (190.5-198)	<b>F, J</b>
78-81 (198-205.5)	<b>F, H</b>
81-84 (205.5-213)	<b>F, G</b>
84-87 (213-221)	<b>G, H, J</b>
87-90 (221-228.5)	<b>F, H, J</b>
90-93 (228.5-236)	<b>F, G, J</b>
93-96 (236-244)	<b>F, G, H</b>

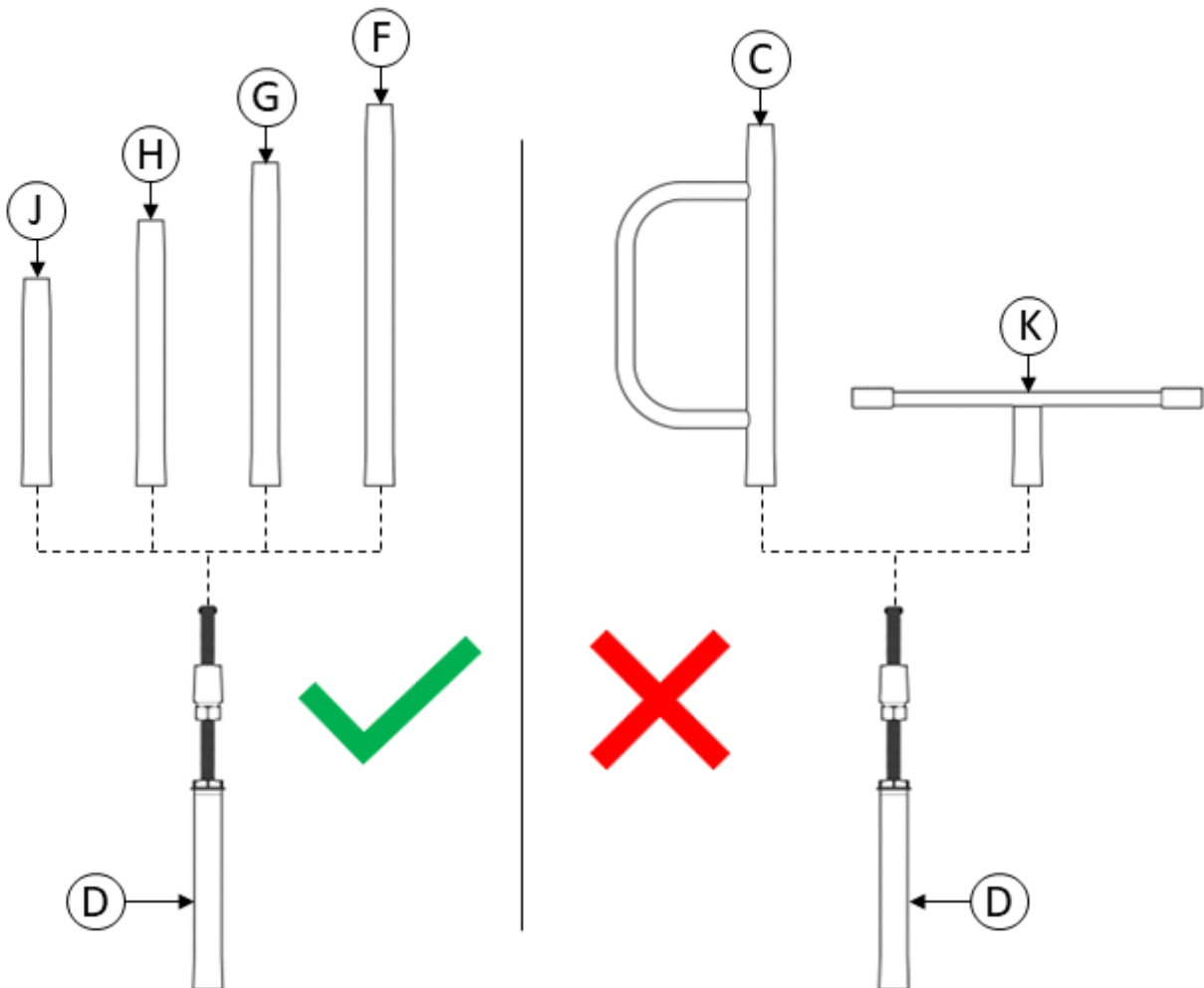
**FIGURE 4**

5. Stack the necessary parts starting with **B** and ending with **K**. This can be done standing up or with the parts laying down. The height of **C** can be adjusted by changing the stacking order. Shown below in *FIGURE 5A* are two examples of a 93-96 in distance. There are many different stacking options for each height range.



**FIGURE 5A**

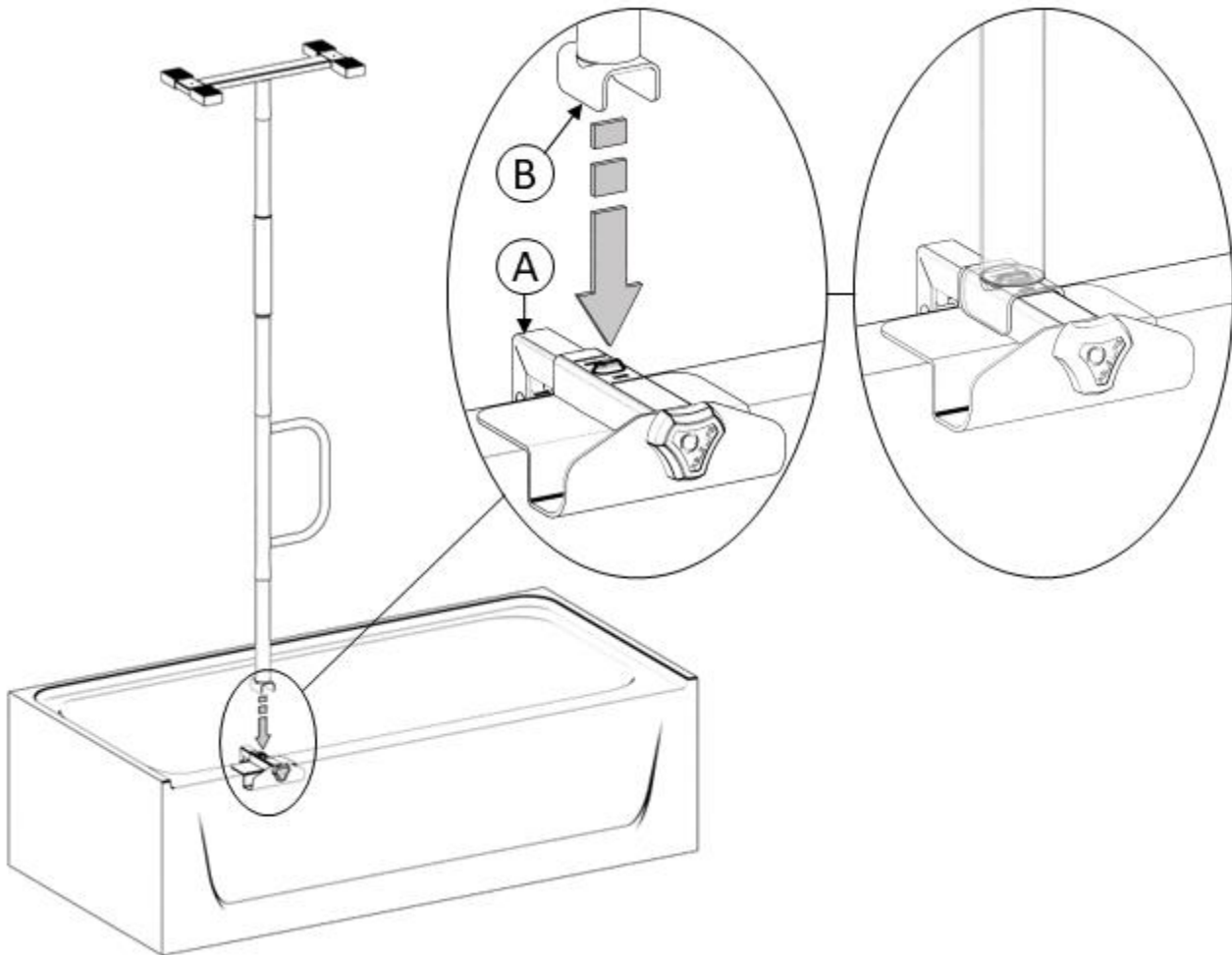
**Note:** As shown in *FIGURE 5B*, **D** cannot be directly below **C** or **K**. The plastic sleeve, **E**, must be installed over the straight pipe (**F**, **G**, **H**, or **J**) which is directly above **D**.



**FIGURE 5B**

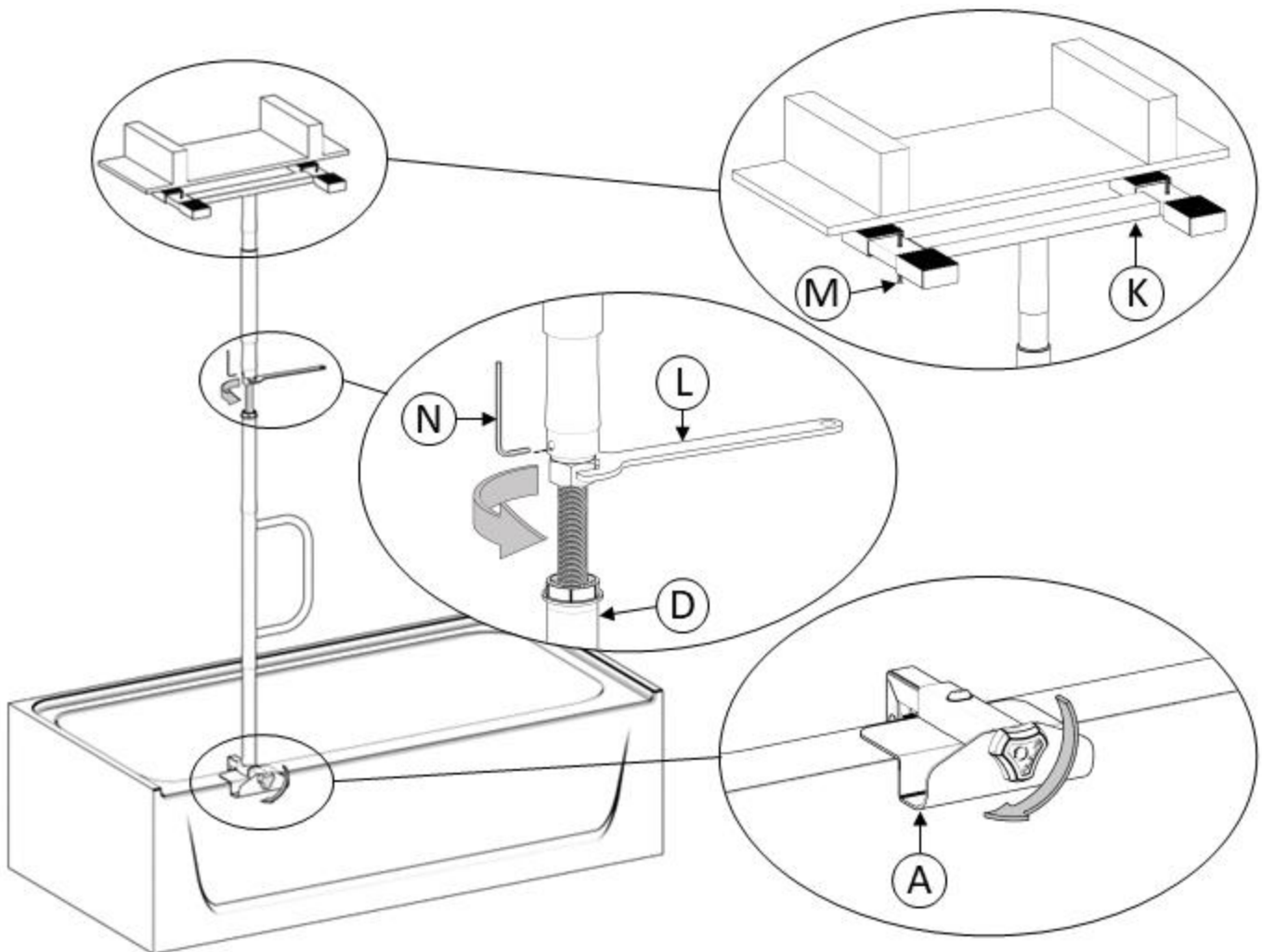


6. Insert **B** onto **A**. Ensure that the bump on **A**, aligns with the hole in **B** as shown in *FIGURE 6*. Cover red markings to ensure proper installation.



**FIGURE 6**

7. Ensure that the product is completely vertical (plumb) and that the handle is in the direction you want it to stay in. Rotate the nut on **D** counter clockwise using **L** as shown in *FIGURE 7*. Tighten the set screw using tool **N**. Then slide **E** down to cover threads. Fully tighten **A**. Ensure the product is secured between the bathtub and the ceiling with **ABSOLUTELY NO** sliding of the product. **Caution:** Do not overtighten as doing so may damage the bathtub, ceiling, or this product. **OPTIONAL:** Use the provided screws, **M**, ensuring that **M** goes into the Ceiling Joists.



**FIGURE 7**