

PRODUCT AND CONTACT INFORMATION:



Tel: 800.506.9901 • Fax: 435.787.2301
2410 Heritage Dr. • Logan • UT 84321
sales@stander.com
www.stander.com

English- For assembly instructions and product information, visit the following website:
www.stander.com/product-manuals

Español- Para obtener instrucciones de montaje e información del producto, visite el siguiente sitio web:
www.stander.com/product-manuals

Deutsch- Montageanleitungen und Produktinformationen finden Sie auf der folgenden Website:
www.stander.com/product-manuals

Français- Pour obtenir des instructions d'assemblage et des informations sur le produit, visitez le site Web suivant: www.stander.com/product-manuals

Italiano- Per le istruzioni di montaggio e le informazioni sul prodotto, visitare il seguente sito Web:
www.stander.com/product-manuals



THE STANDER STEP, Item # 2340

This product is designed and intended for adult use only. It is not intended to be used by individuals who have paralysis, symptoms of dementia, sleeping disorders, incontinence, pain, uncontrolled body movement, or who are unable to walk safely without assistance. It should not be used by anyone who suffers from confusion, restlessness, terminal restlessness, or who is under the influence of medications, drugs or any other substance that could impair their balance or judgment. Do not allow this product to be used by anyone who does not have the physical and/or mental ability to safely use this product. If you have questions, please consult a physician before using this product. This product's handles are not intended to carry the full weight of an individual.

LIMITED LIFETIME WARRANTY

Stander, Inc. ("Stander") warrants to the original purchaser that the Product will be free from material defects in material or workmanship for the lifetime of the product. This limited lifetime warranty applies only when the Product is used consistent with the Product's specifications and is non-transferable and shall solely be applicable to the original purchaser.

In the event of a warranty claim, the original purchaser must notify Stander, during the warranty period, in writing of the alleged defect in workmanship or material and must ship the Product, along with the proof of purchase, to Stander.

All shipping costs must be paid by the original purchaser. Stander will not refund or pay for any shipping charges.

If Stander determines, upon its sole determination, that there is a material defect in the material or workmanship of the Product, Stander will either send replacement parts or if needed replace the product and ship a replacement product or parts to the original purchaser.

The limited lifetime warranty does NOT apply to any Product:

- (1) That has been damaged in any way.
- (2) That has been altered or modified in any way or is used with any unauthorized attachments.
- (3) That was not properly installed or that was not used in accordance with the instructions provided by Stander.
- (3) That was used for purposes other than those for which the Product was designed or intended; or
- (4) Damaged due to abuse, misuse, mishandling, neglect, misapplication, accident or abnormal use or storage.

STANDER MAKES NO WARRANTIES OTHER THAN THOSE EXPRESSLY SET FORTH HEREIN. ALL OTHER WARRANTIES, EXPRESS OR IMPLIED INCLUDING ALL (I) IMPLIED WARRANTIES OF MERCHANTABILITY OR FITNESS FOR A PARTICULAR PURPOSE, OR (II) IMPLIED WARRANTIES ARISING FROM ANY COURSE OF DEALING, USAGE OF TRADE, ADVERTISING OR PERFORMANCE OF PRODUCTS TO STANDARDS SPECIFIC TO THE COUNTRY OF IMPORT, ARE HEREBY EXPRESSLY DISCLAIMED.

THIS LIMITED LIFETIME WARRANTY IS THE FULL AND COMPLETE STATEMENT OF STANDER'S LIMITED LIFETIME WARRANTY OF THE PRODUCT, CONSTITUTES THE ENTIRE AND COMPLETELY INTEGRATED LIMITED LIFETIME WARRANTY OF STANDER, SUPERSEDES ALL OTHER STATEMENTS, AND CANNOT BE VARIED BY ANY ORAL OR OTHER WRITTEN STATEMENT.

THE EXCLUSIVE REMEDY FOR BREACH OF THIS LIMITED LIFETIME WARRANTY IS TO RETURN THE PRODUCT FOR THE REPLACEMENT OF THE NONCONFORMING PRODUCT.

UNDER NO CIRCUMSTANCES SHALL STANDER, INC. BE LIABLE FOR ANY SPECIAL, INCIDENTAL, EXEMPLARY, PUNITIVE, CONSEQUENTIAL DAMAGES, OR OTHER DAMAGES, BASED UPON BREACH OF THIS LIMITED WARRANTY, BREACH OF CONTRACT, OR STRICT LIABILITY.

Some states do not allow limitations on how long an implied warranty lasts. This warranty gives you specific legal rights, and you may also have other rights which vary from state to state. To obtain service under this Limited Warranty, you can reach Stander at (800) 506-9901 or (435) 755-0453.

DISCLAIMER: Neither Stander nor the manufacturer will be liable for any harm or injury that results from the improper use or assembly of the product.

Do not use or attempt to install this product unless you read and understand these warnings and follow all instructions.

▲ WARNINGS

Serious injury or harm from falls or entrapment can result if this product is not properly assembled, properly installed and properly maintained and used.

The product may slip out from under the user if the product or the floor where the product is used is wet, greasy, dirty or otherwise slippery. If the product slips or moves when placing weight on it, Do NOT continue to use the product.

Only use the product on clean, flat, level, dry surfaces.

Never attempt to move the product when standing on it or leaning on it.

Ensure that the user is aware of the requirements to safely use the product and its location so that the product does not present a tripping hazard to users with vision problems.

Do NOT use the product if you feel dizzy or too weak to support your weight.

DO NOT place this product on top of any other object to increase height.

In order to mitigate the hazards of entrapment or falls, this product must be assembled, installed, maintained and used in strict accordance with the instructions set forth herein.

This product must NOT be used by anyone who has any condition that may cause confusion, who cannot walk without assistance or is otherwise at increased risk of injury because of the propensity to fall or lose their balance including individuals who are taking medication or use any substance that makes them tired, weak or dizzy. The user must have sufficient hand strength to grasp the product while standing up without slipping.

Do NOT alter the product in any way.

Only use of the product to provide limited support during the process of standing and sitting.

Do check the product daily to make sure it is in good condition and that it has been installed and positioned as per the ASSEMBLY INSTRUCTIONS. If the product is damaged in anyway stop using it immediately.

Do NOT use the product if the floor or the product itself is wet or slippery for any reason. Ensure that there are no tripping hazards that could affect the user.

Prior to every use, ensure that there is no gap between the product and the side of the mattress. A gap in this area means the product is installed improperly. Stop using immediately if product shifts out of its original position, a gap is noticed between the side of the mattress and the product, if product is damaged, broken, or if parts are missing or the product is not stable for any reason.

Do NOT allow Children to hang on or play with this product.

Do NOT use this product if you weigh over 300 lbs./136kgs.

Do NOT attach any other items or objects to this product.

If this product is used in a nursing home, assisted living center, or a similar facility, you must follow these instructions as well as comply with all of the institution's rules and installation policies. If this product does not comply with the facility's rules or installation policies, do not install this product.

If product is removed, it must be reinstalled per enclosed ASSEMBLY INSTRUCTIONS.

If you have any questions regarding the safe installation or use of this product, associated risks, or anything at all regarding this product call Stander at (800) 506-9901 or (435) 755-0453.

Product Position: Install the product as shown on Figure A, keeping the product at least 12.5 inches from the head and foot plane of the bed. Do not allow there to be any gap between the product and the bed frame or mattress. This is required to prevent potential tripping, falling and entrapment hazards.

ASSEMBLY INSTRUCTIONS

Specifications:

Product Name: Stander Step

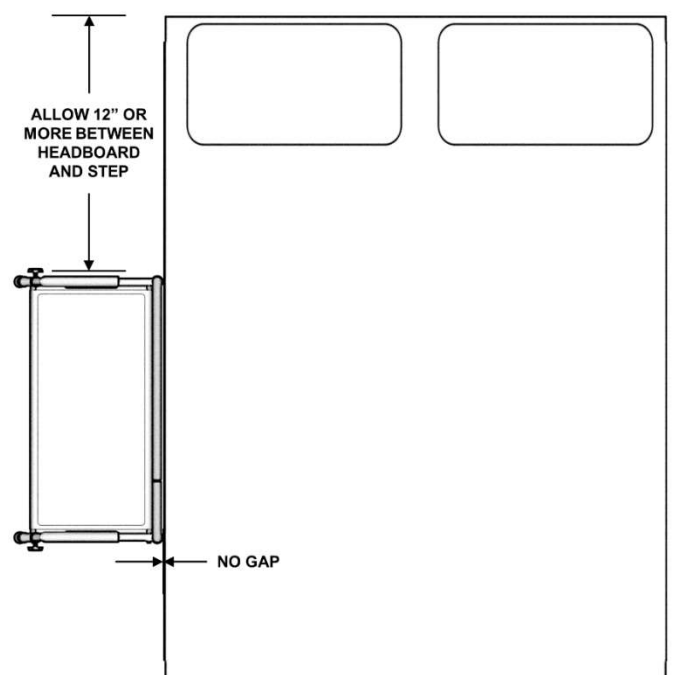
Product #: 2340

Maximum User Weight: 300lbs (136kg)

Compatibility: Can be used with any bed. Ensure unit is placed with rear crossbar in contact with bedside.

Cleaning: Clean product with warm water and soap. Dry thoroughly before using.

Recycling: Product should be recycled in accordance with national guidelines.



1. Remove product from box and identify all parts as shown in *FIGURE 1*.

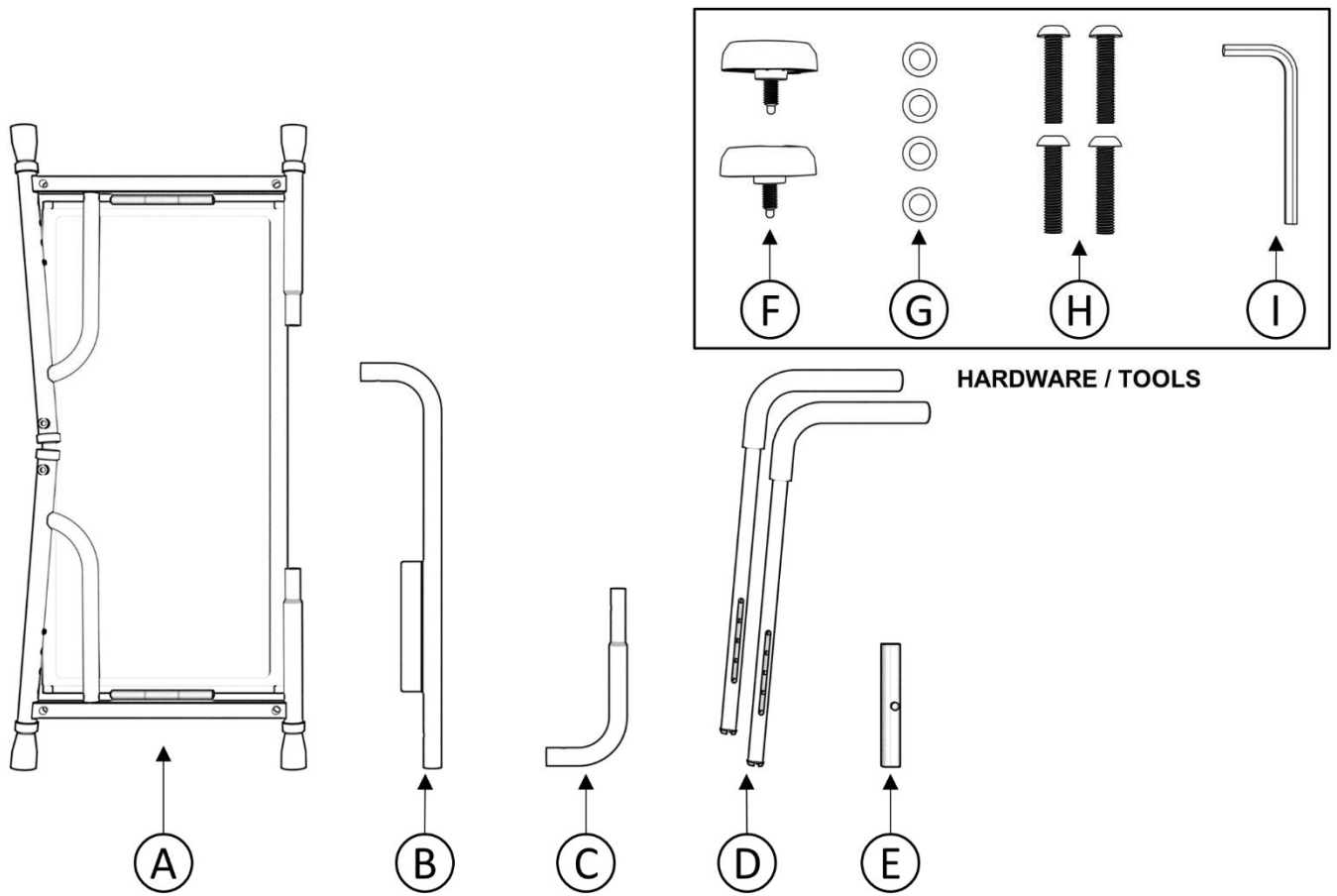


FIGURE 1

2. Assemble rear crossbar by inserting part **C** into part **B** as shown in *FIGURE 2* allowing the spring pin to lock in place.

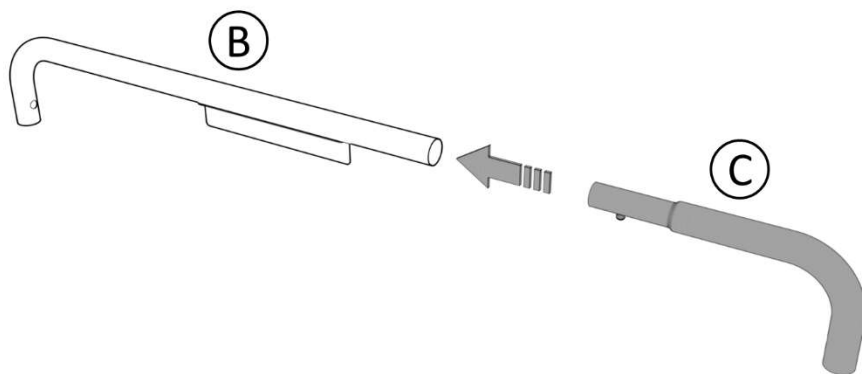


FIGURE 2

3. Unfold main platform **A** as shown in *FIGURE 3.1* and install the assembled rear crossbar on to the rear posts with part **C** on the right side of the product as shown in *FIGURE 3.2*. Allow both spring pins to lock in place.

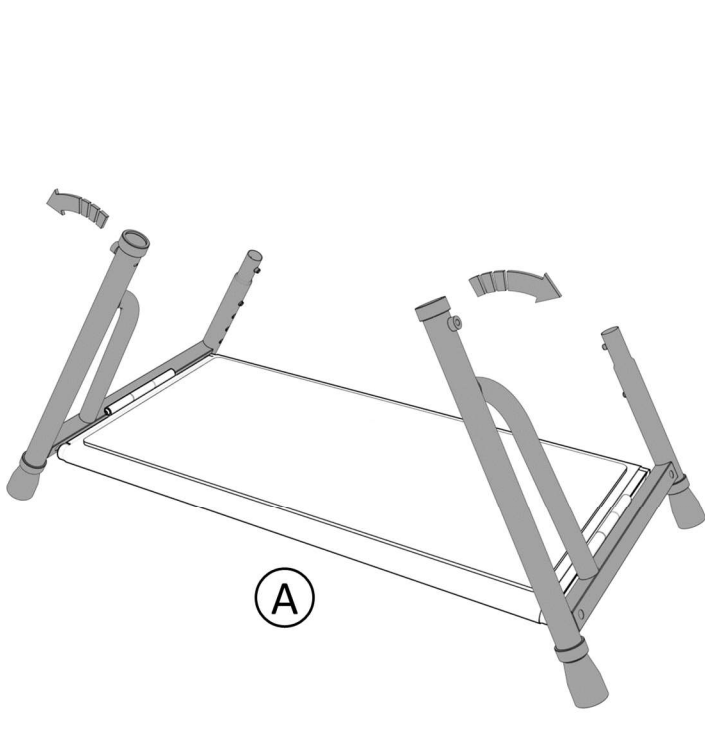


FIGURE 3.1

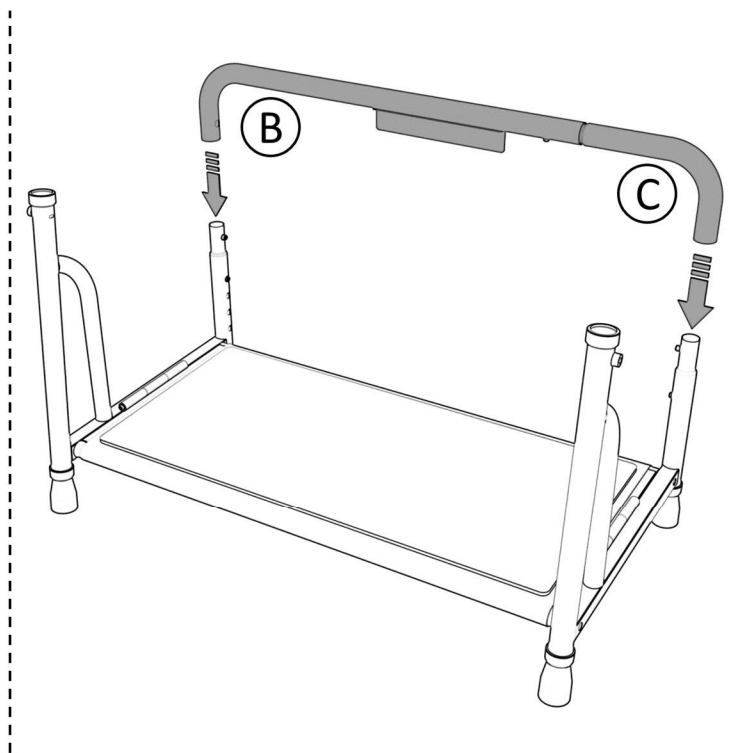


FIGURE 3.2

4. Install bolts **H** with washers **G** as shown in *FIGURE 4* and tighten using tool provided, **I**

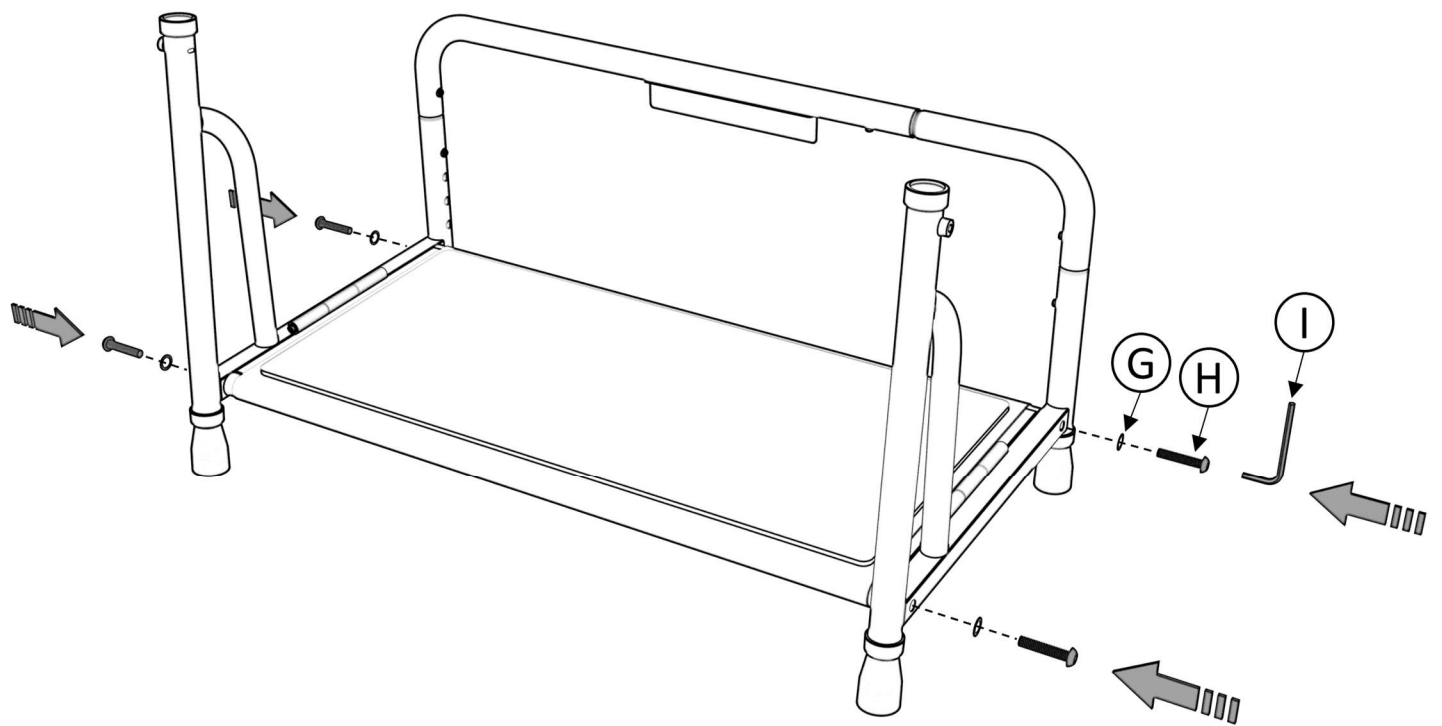


FIGURE 4

5. Insert handles **D** into the front receiver posts of **A**. Adjust to the desired height, align using the witness holes, and secure by threading in and tightening knobs **F** as shown in *FIGURE 5*.

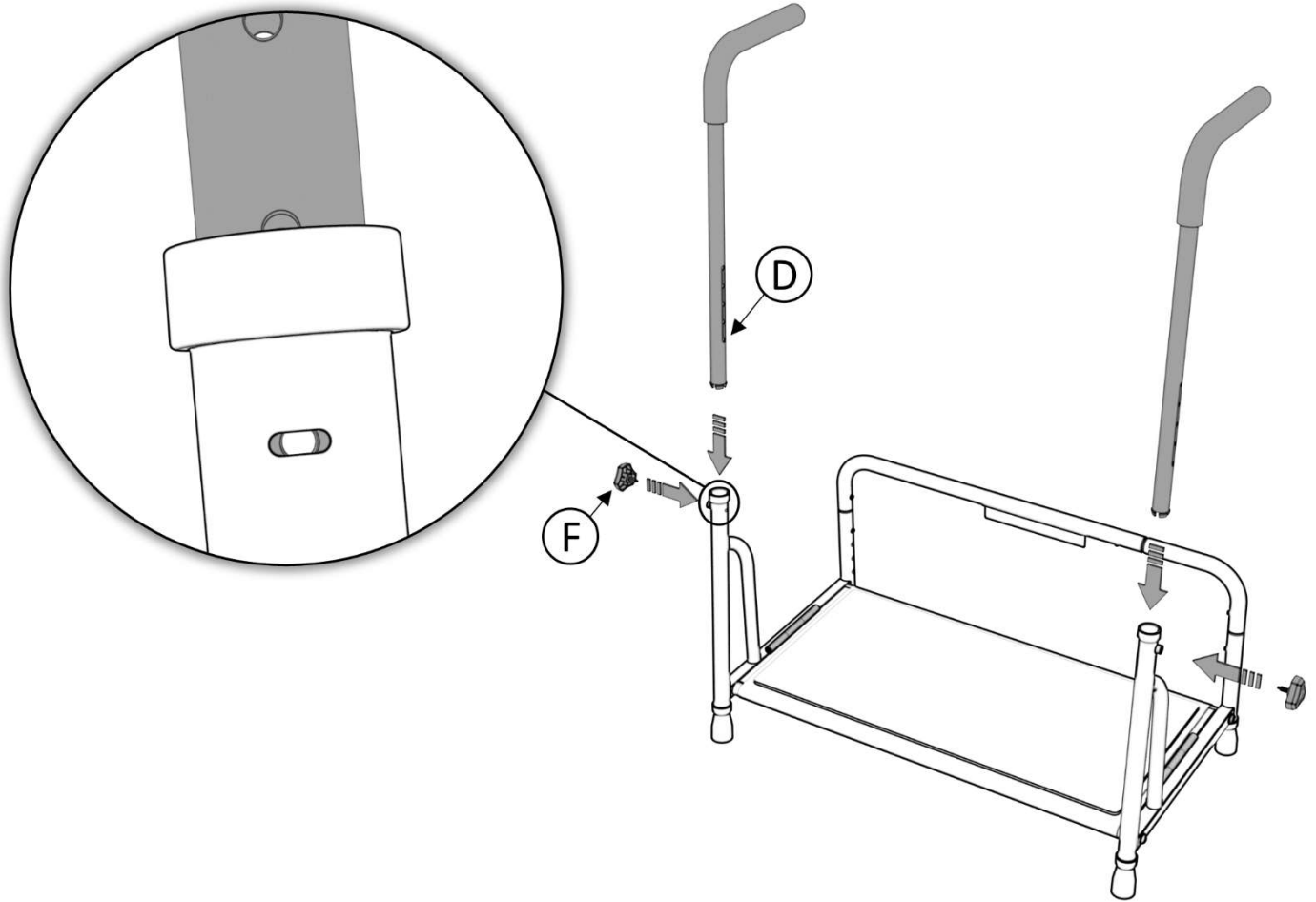


FIGURE 5

6. Adjust legs to desired height and allow all spring pins to lock. Attach magnetic motion light **E** to the rectangular plate on the rear crossbar as shown in *FIGURE 6*. **NOTE:** Ensure all legs are adjusted to the same height.

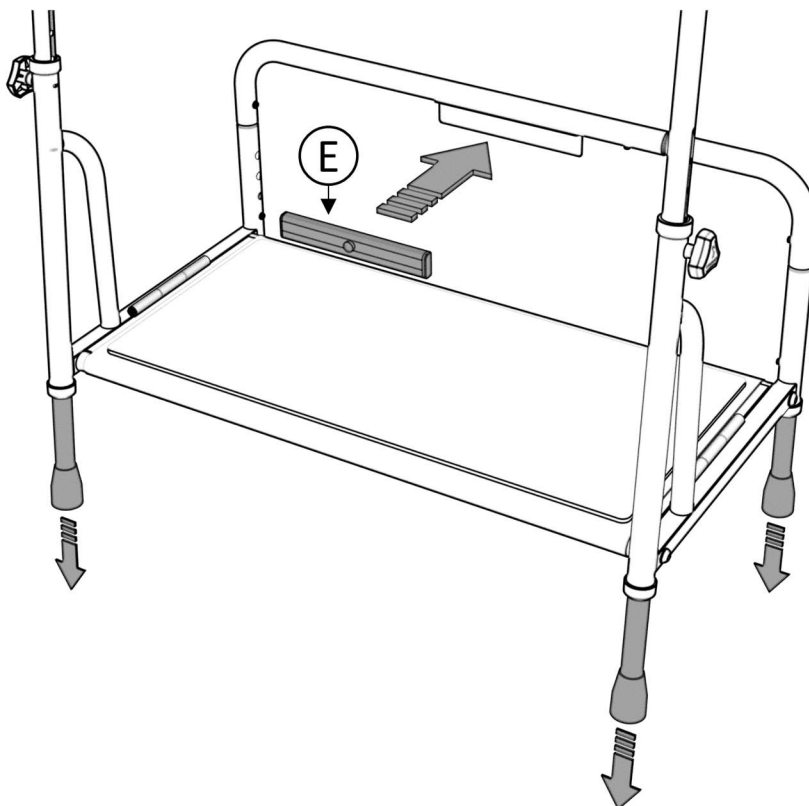


FIGURE 6

MOTION LIGHT INFORMATION

SPECIFICATIONS:

Motion Sensor Range: 3 meters.

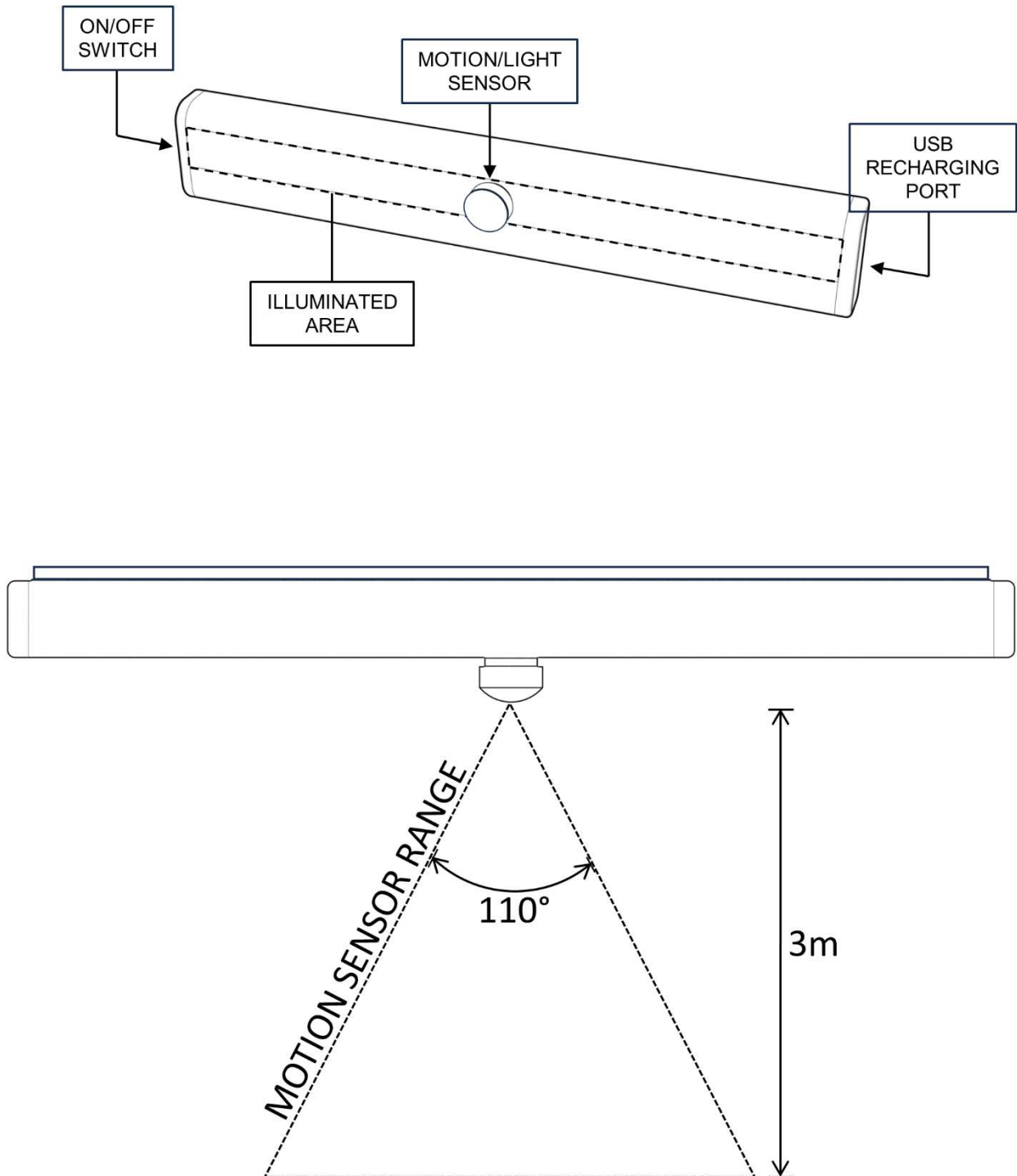
Power Source: USB rechargeable. Charge indicator LED will turn green when fully charged

LED Service Life: 100,000 Hrs.

Light timer: 15s after motion is no longer detected.

Warnings: Keep away from water or damp areas. Keep out of extreme heat. Exposure to bright light can damage ambient light sensor sensitivity.

NOTE: Switch must be in ON position. Light will only activate with motion when ambient light level is sufficiently dark.



EMERGO EUROPE
Westervoortsedijk 60
6827 AT Arnhem
The Netherlands

Stander, Inc.
2410 S. Heritage Dr.
Logan Utah 84321
USA
www.stander.com
1.800.506.9901

