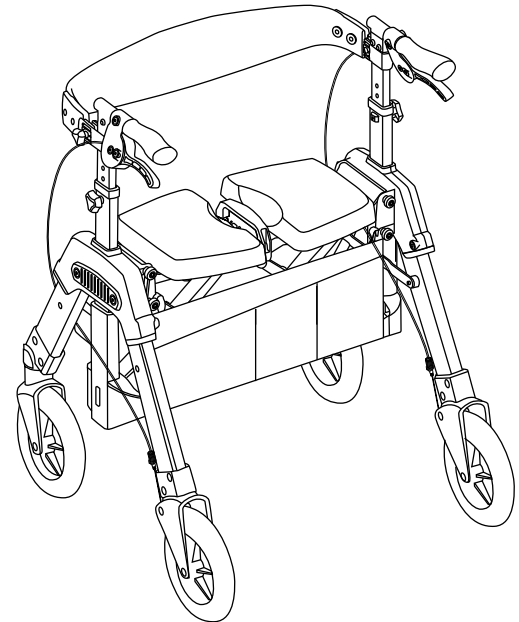
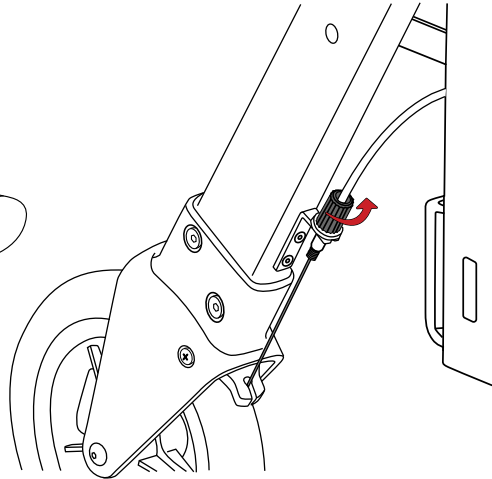
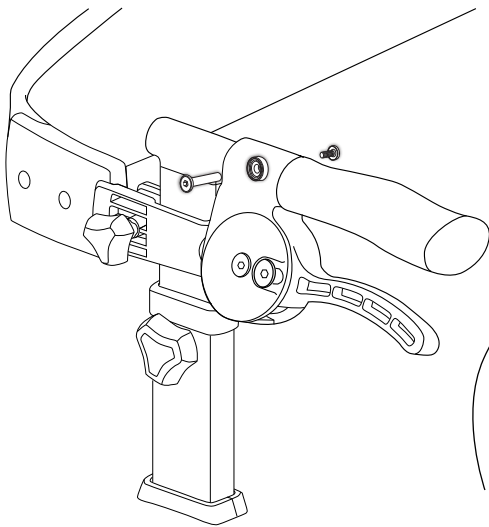




**STANDER**  
BE INDEPENDENT.

# HEAVY DUTY ROLLATOR BRAKE HANDLE ASSEMBLY™



## Replacement Brake Handle Assembly

*If servicing both sides do one side at a time.  
This will allow you to use the opposite side as a reference.*

### Removal Instructions

1. Slide or cut hand grip off handlebar
2. Remove upper bolt on brake handle using 5mm Allen wrench and #2 Phillips screwdriver
3. Remove brake lever from handlebar
4. Remove cable housing from clip on frame
5. Turn adjustment knob until fully seated on leg bracket
5. Slide cable off pivoting brake bracket
6. Twist adjustment knob until free of leg bracket
7. Remove cable assembly

### Installation Instructions

1. Slide brake lever onto handlebar and secure mounting hardware using 5mm Allen wrench and #2 Phillips screwdriver
2. Make sure mounting bolt passes through the back strap webbing inside the handlebar
3. Slide grip firmly into place
4. Place cable sheath in clip on frame
5. Make sure brake handle is NOT in parking brake position

6. Thread adjustment knob leg bracket as far as possible, with spring below bracket
7. Press down on pivoting brake lever to compress spring
8. Feed cable through slot in pivoting bracket, and push cable to center of bracket
9. Turn adjustment knob until pivoting brake lever is close to wheel, while allowing wheel to freely spin
10. Check brake function before use

### Brake Adjustment

1. Make sure brake handle is NOT in parking brake position
2. Turn adjustment barrel at bottom of cable until pivoting brake lever is close to wheel
3. Brake lever should be close to wheel, while allowing wheel to freely spin
5. Check brake function before use

## PRODUCT #4360-003

Compatible with: Stander #4360 EZ Fold-N-Go Rollator-HD,

Signature Life #7680 Elite Travel Rollator-HD,

Able Life #4260 Space Saver Rollator-HD