

Optional Tray Table Accessory

1. The 8900 Series bed rail accepts a TRAY TABLE accessory. Mount the TRAY TABLE as shown in Figure 1. Position the clamp so the protrusions align with the holes in the RAIL ASSEMBLY. Loosely attach the clamp on the RAIL ASSEMBLY before inserting the TRAY TABLE. Insert the TRAY TABLE into the clamp and finish tightening the clamp. Note that item A in Figure 1 is not needed when mounting the TRAY TABLE to the center post (position B, Figure 2).

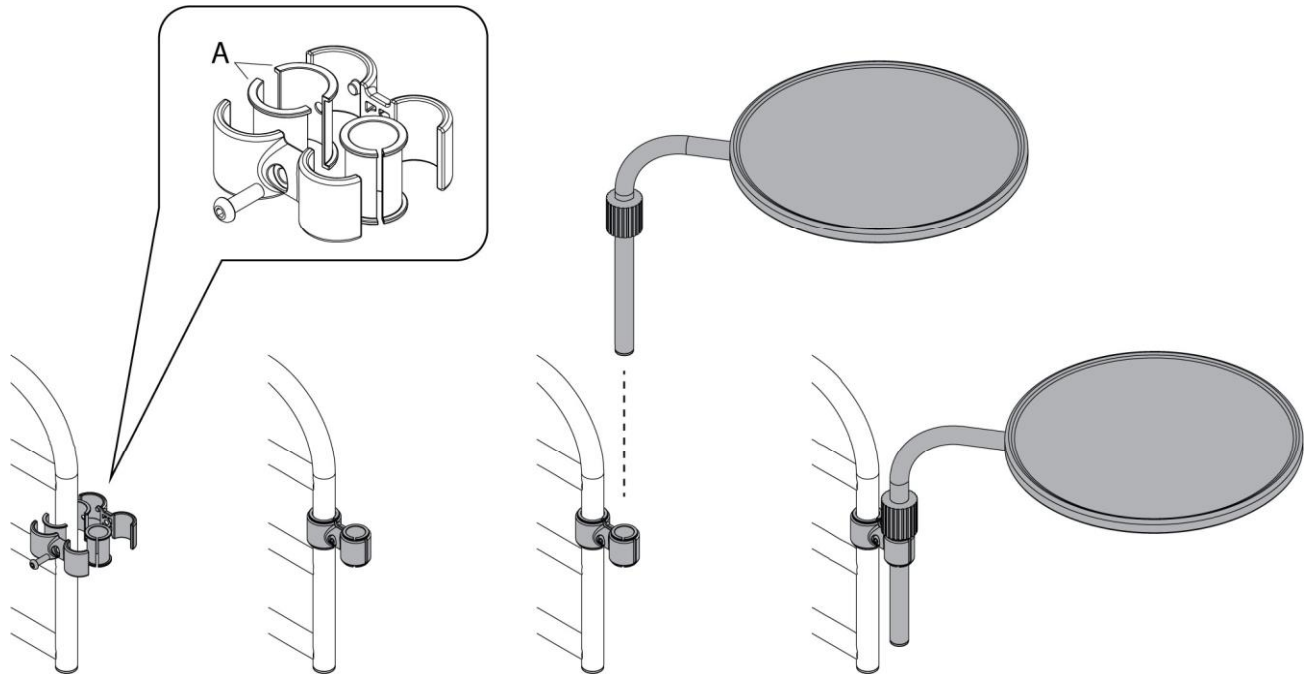
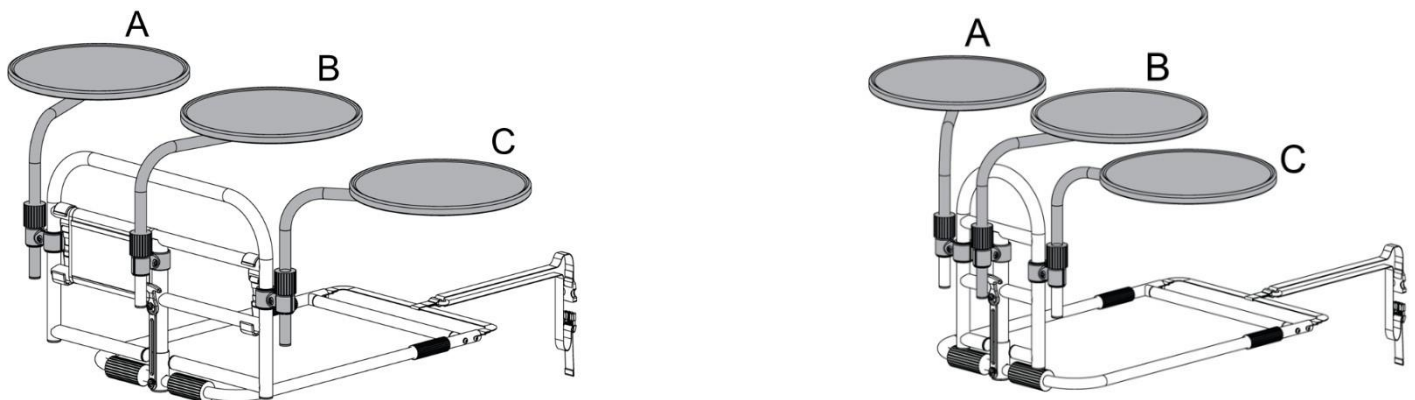


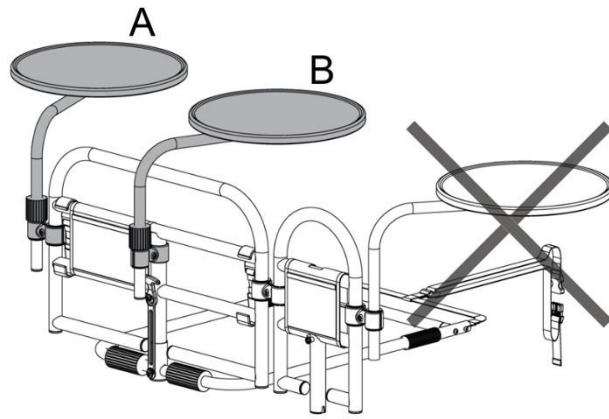
FIGURE 1

2. The TRAY TABLE can be mounted to the BED RAIL in the positions shown in Figure 2. DO NOT mount the TRAY TABLE to optional handle – See Figure 2, Option 3. Note that the TWO-PIECE SLEEVE (Figure 1, Item A) is not needed in position B.



OPTION 1

OPTION 2



OPTION 3

FIGURE 2